

**SINGLE-CHANNEL**  
**6N137**  
**HCPL-2601**  
**HCPL-2611**

**DUAL-CHANNEL**  
**HCPL-2630**  
**HCPL-2631**

## DESCRIPTION

The 6N137, HCPL-2601/2611 single-channel and HCPL-2630/2631 dual-channel optocouplers consist of a 850 nm AlGaAs LED, optically coupled to a very high speed integrated photodetector logic gate with a strobable output. This output features an open collector, thereby permitting wired OR outputs. The coupled parameters are guaranteed over the temperature range of -40°C to +85°C. A maximum input signal of 5 mA will provide a minimum output sink current of 13 mA (fan out of 8).

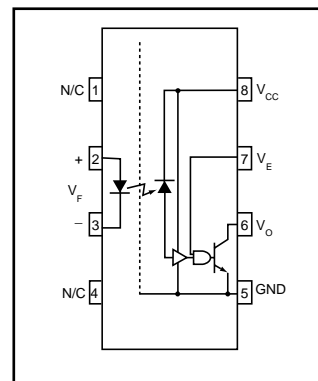
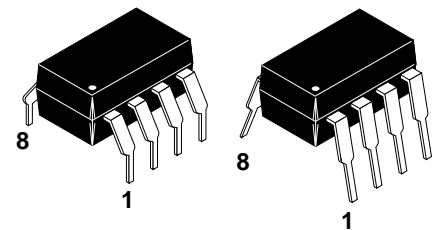
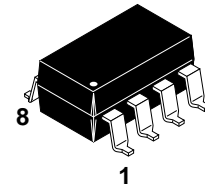
An internal noise shield provides superior common mode rejection of typically 10 kV/μs. The HCPL-2601 and HCPL-2631 has a minimum CMR of 5 kV/μs. The HCPL-2611 has a minimum CMR of 10 kV/μs.

## FEATURES

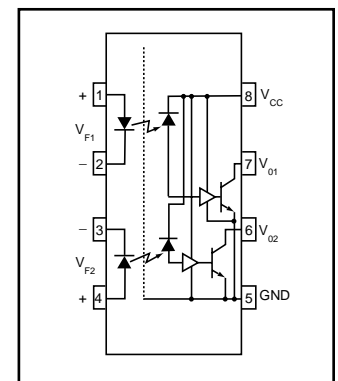
- Very high speed-10 MBit/s
- Superior CMR-10 kV/μs
- Double working voltage-480V
- Fan-out of 8 over -40°C to +85°C
- Logic gate output
- Storable output
- Wired OR-open collector
- U.L. recognized (File # E90700)

## APPLICATIONS

- Ground loop elimination
- LSTTL to TTL, LSTTL or 5-volt CMOS
- Line receiver, data transmission
- Data multiplexing
- Switching power supplies
- Pulse transformer replacement
- Computer-peripheral interface



Single-channel  
circuit drawing



Dual-channel  
circuit drawing

## TRUTH TABLE (Positive Logic)

Input	Enable	Output
H	H	L
L	H	H
H	L	H
L	L	H
H	NC	L
L	NC	H

A 0.1 μF bypass capacitor must be connected between pins 8 and 5.  
(See note 1)



# HIGH SPEED-10 MBit/s LOGIC GATE OPTOCOUPLEDERS

**SINGLE-CHANNEL**  
**6N137**  
**HCPL-2601**  
**HCPL-2611**

**DUAL-CHANNEL**  
**HCPL-2630**  
**HCPL-2631**

## ABSOLUTE MAXIMUM RATINGS (No derating required up to 85°C)

Parameter	Symbol	Value	Units
Storage Temperature	$T_{STG}$	-55 to +125	°C
Operating Temperature	$T_{OPR}$	-40 to +85	°C
Lead Solder Temperature	$T_{SOL}$	260 for 10 sec	°C
<b>EMITTER</b>			
DC/Average Forward Current	$I_F$	50	mA
Input Current		30	
Enable Input Voltage	$V_E$	5.5	V
Not to exceed $V_{CC}$ by more than 500 mV			
Reverse Input Voltage	$V_R$	5.0	V
Power Dissipation	$P_I$	100	mW
		45	
<b>DETECTOR</b>			
Supply Voltage	$V_{CC}$ (1 minute max)	7.0	V
Output Current	$I_O$	50	mA
		50	
Output Voltage	$V_O$	7.0	V
Collector Output Power Dissipation	$P_O$	85	mW
		60	

## RECOMMENDED OPERATING CONDITIONS

Parameter	Symbol	Min	Max	Units
Input Current, Low Level	$I_{FL}$	0	250	μA
Input Current, High Level	$I_{FH}$	*6.3	15	mA
Supply Voltage, Output	$V_{CC}$	4.5	5.5	V
Enable Voltage, Low Level	$V_{EL}$	0	0.8	V
Enable Voltage, High Level	$V_{EH}$	2.0	$V_{CC}$	V
Low Level Supply Current	$T_A$	-40	+85	°C
Fan Out (TTL load)	N		8	

\* 6.3 mA is a guard banded value which allows for at least 20 % CTR degradation. Initial input current threshold value is 5.0 mA or less

**SINGLE-CHANNEL**  
**6N137**  
**HCPL-2601**  
**HCPL-2611**

**DUAL-CHANNEL**  
**HCPL-2630**  
**HCPL-2631**

## ELECTRICAL CHARACTERISTICS (T<sub>A</sub> = -40°C to +85°C Unless otherwise specified.)

### INDIVIDUAL COMPONENT CHARACTERISTICS

Parameter	Test Conditions	Symbol	Min	Typ**	Max	Unit
<b>EMITTER</b>						
Input Forward Voltage	(I <sub>F</sub> = 10 mA) T <sub>A</sub> = 25°C	V <sub>F</sub>		1.4	1.8	V
Input Reverse Breakdown Voltage	(I <sub>R</sub> = 10 μA)	B <sub>VR</sub>	5.0			V
Input Capacitance	(V <sub>F</sub> = 0, f = 1 MHz)	C <sub>IN</sub>		60		pF
Input Diode Temperature Coefficient	(I <sub>F</sub> = 10 mA)	ΔV <sub>F</sub> /ΔT <sub>A</sub>		-1.4		mV/°C
<b>DETECTOR</b>						
High Level Supply Current	Single Channel (V <sub>CC</sub> = 5.5 V, I <sub>F</sub> = 0 mA) Dual Channel (V <sub>E</sub> = 0.5 V)	I <sub>CCH</sub>		7	10	mA
Low Level Supply Current	Single Channel (V <sub>CC</sub> = 5.5 V, I <sub>F</sub> = 10 mA) Dual Channel (V <sub>E</sub> = 0.5 V)	I <sub>CCL</sub>		9	13	mA
Low Level Enable Current	(V <sub>CC</sub> = 5.5 V, V <sub>E</sub> = 0.5 V)	I <sub>EL</sub>		-0.8	-1.6	mA
High Level Enable Current	(V <sub>CC</sub> = 5.5 V, V <sub>E</sub> = 2.0 V)	I <sub>EH</sub>		-0.6	-1.6	mA
High Level Enable Voltage	(V <sub>CC</sub> = 5.5 V, I <sub>F</sub> = 10 mA)	V <sub>EH</sub>	2.0			V
Low Level Enable Voltage	(V <sub>CC</sub> = 5.5 V, I <sub>F</sub> = 10 mA) (Note 3)	V <sub>EL</sub>			0.8	V

## SWITCHING CHARACTERISTICS (T<sub>A</sub> = -40°C to +85°C, V<sub>CC</sub> = 5 V, I<sub>F</sub> = 7.5 mA Unless otherwise specified.)

AC Characteristics	Test Conditions	Symbol	Min	Typ**	Max	Unit
Propagation Delay Time to Output High Level	(Note 4) (T <sub>A</sub> = 25°C) (R <sub>L</sub> = 350 Ω, C <sub>L</sub> = 15 pF) (Fig. 12)	T <sub>PLH</sub>	20	45	75	ns
Propagation Delay Time to Output Low Level	(Note 5) (T <sub>A</sub> = 25°C) (R <sub>L</sub> = 350 Ω, C <sub>L</sub> = 15 pF) (Fig. 12)	T <sub>PHL</sub>	25	45	75	ns
Pulse Width Distortion	(R <sub>L</sub> = 350 Ω, C <sub>L</sub> = 15 pF) (Fig. 12)	T <sub>PHL</sub> - T <sub>PLH</sub>		3	35	ns
Output Rise Time (10-90%)	(R <sub>L</sub> = 350 Ω, C <sub>L</sub> = 15 pF) (Note 6) (Fig. 12)	t <sub>r</sub>		50		ns
Output Fall Time (90-10%)	(R <sub>L</sub> = 350 Ω, C <sub>L</sub> = 15 pF) (Note 7) (Fig. 12)	t <sub>f</sub>		12		ns
Enable Propagation Delay Time to Output High Level	(I <sub>F</sub> = 7.5 mA, V <sub>EH</sub> = 3.5 V) (R <sub>L</sub> = 350 Ω, C <sub>L</sub> = 15 pF) (Note 8) (Fig. 13)	t <sub>ELH</sub>		20		ns
Enable Propagation Delay Time to Output Low Level	(I <sub>F</sub> = 7.5 mA, V <sub>EH</sub> = 3.5 V) (R <sub>L</sub> = 350 Ω, C <sub>L</sub> = 15 pF) (Note 9) (Fig. 13)	t <sub>EHL</sub>		20		ns
Common Mode Transient Immunity (at Output High Level)	(T <sub>A</sub> = 25°C)  V <sub>CM</sub>   = 50 V, (Peak) (I <sub>F</sub> = 0 mA, V <sub>OH</sub> (Min.) = 2.0 V)	C <sub>MH</sub>				V/μs
	6N137, HCPL-2630 (R <sub>L</sub> = 350 Ω) (Note 10)			10,000		
	HCPL-2601, HCPL-2631 (Fig. 14)		5000	10,000		
	HCPL-2611  V <sub>CM</sub>   = 400 V		10,000	15,000		
Common Mode Transient Immunity (at Output Low Level)	(R <sub>L</sub> = 350 Ω) (I <sub>F</sub> = 7.5 mA, V <sub>OL</sub> (Max.) = 0.8 V) (T <sub>A</sub> = 25°C)  V <sub>CM</sub>   = 50 V (Peak)	C <sub>ML</sub>		10,000		V/μs
	6N137, HCPL-2630					
	HCPL-2601, HCPL-2631 (Note 11) (Fig. 14)		5000	10,000		
	HCPL-2611 (T <sub>A</sub> = 25°C)  V <sub>CM</sub>   = 400 V		10,000	15,000		

**SINGLE-CHANNEL**  
**6N137**  
**HCPL-2601**  
**HCPL-2611**

**DUAL-CHANNEL**  
**HCPL-2630**  
**HCPL-2631**

## TRANSFER CHARACTERISTICS (T<sub>A</sub> = -40°C to +85°C Unless otherwise specified.)

DC Characteristics	Test Conditions	Symbol	Min	Typ**	Max	Unit
High Level Output Current	(V <sub>CC</sub> = 5.5 V, V <sub>O</sub> = 5.5 V) (I <sub>F</sub> = 250 μA, V <sub>E</sub> = 2.0 V) (Note 2)	I <sub>OH</sub>			100	μA
Low Level Output Current	(V <sub>CC</sub> = 5.5 V, I <sub>F</sub> = 5 mA) (V <sub>E</sub> = 2.0 V, I <sub>CL</sub> = 13 mA) (Note 2)	V <sub>OL</sub>		.35	.06	V
Input Threshold Current	(V <sub>CC</sub> = 5.5 V, V <sub>O</sub> = 0.6 V, V <sub>E</sub> = 2.0 V, I <sub>OL</sub> = 13 mA)	I <sub>FT</sub>		3	5	mA

## ISOLATION CHARACTERISTICS (T<sub>A</sub> = -40°C to +85°C Unless otherwise specified.)

Characteristics	Test Conditions	Symbol	Min	Typ**	Max	Unit
Input-Output Insulation Leakage Current	(Relative humidity = 45%) (T <sub>A</sub> = 25°C, t = 5 s) (V <sub>I-O</sub> = 3000 VDC) (Note 12)	I <sub>I-O</sub>			1.0*	μA
Withstand Insulation Test Voltage	(RH < 50%, T <sub>A</sub> = 25°C) (Note 12) (t = 1 min.)	V <sub>ISO</sub>	2500			V <sub>RMS</sub>
Resistance (Input to Output)	(V <sub>I-O</sub> = 500 V) (Note 12)	R <sub>I-O</sub>		10 <sup>12</sup>		Ω
Capacitance (Input to Output)	(f = 1 MHz) (Note 12)	C <sub>I-O</sub>		0.6		pF

\*\* All typical values are at V<sub>CC</sub> = 5 V, T<sub>A</sub> = 25°C

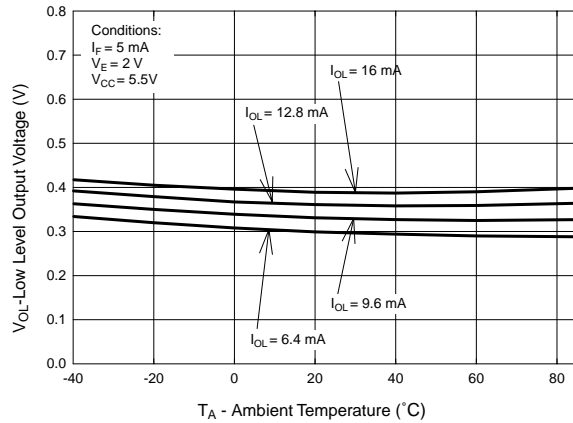
## NOTES

- The V<sub>CC</sub> supply to each optoisolator must be bypassed by a 0.1μF capacitor or larger. This can be either a ceramic or solid tantalum capacitor with good high frequency characteristic and should be connected as close as possible to the package V<sub>CC</sub> and GND pins of each device.
- Each channel.
- Enable Input - No pull up resistor required as the device has an internal pull up resistor.
- t<sub>PLH</sub> - Propagation delay is measured from the 3.75 mA level on the HIGH to LOW transition of the input current pulse to the 1.5 V level on the LOW to HIGH transition of the output voltage pulse.
- t<sub>PHL</sub> - Propagation delay is measured from the 3.75 mA level on the LOW to HIGH transition of the input current pulse to the 1.5 V level on the HIGH to LOW transition of the output voltage pulse.
- t<sub>r</sub> - Rise time is measured from the 90% to the 10% levels on the LOW to HIGH transition of the output pulse.
- t<sub>f</sub> - Fall time is measured from the 10% to the 90% levels on the HIGH to LOW transition of the output pulse.
- t<sub>ELH</sub> - Enable input propagation delay is measured from the 1.5 V level on the HIGH to LOW transition of the input voltage pulse to the 1.5 V level on the LOW to HIGH transition of the output voltage pulse.
- t<sub>EHL</sub> - Enable input propagation delay is measured from the 1.5 V level on the LOW to HIGH transition of the input voltage pulse to the 1.5 V level on the HIGH to LOW transition of the output voltage pulse.
- CM<sub>H</sub> - The maximum tolerable rate of rise of the common mode voltage to ensure the output will remain in the high state (i.e., V<sub>OUT</sub> > 2.0 V). Measured in volts per microsecond (V/μs).
- CM<sub>L</sub> - The maximum tolerable rate of rise of the common mode voltage to ensure the output will remain in the low output state (i.e., V<sub>OUT</sub> < 0.8 V). Measured in volts per microsecond (V/μs).
- Device considered a two-terminal device: Pins 1,2,3 and 4 shorted together, and Pins 5,6,7 and 8 shorted together.

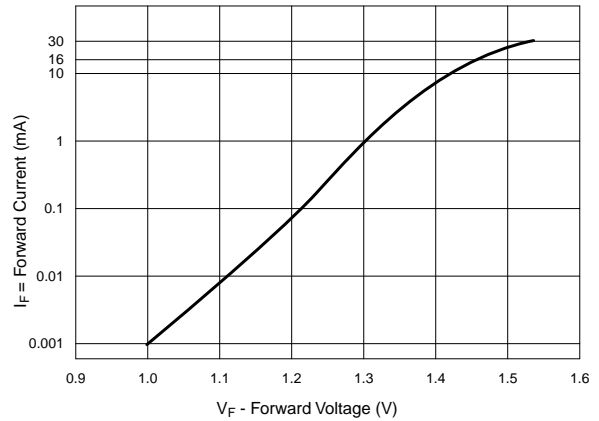
**SINGLE-CHANNEL**  
**6N137**  
**HCPL-2601**  
**HCPL-2611**

**DUAL-CHANNEL**  
**HCPL-2630**  
**HCPL-2631**

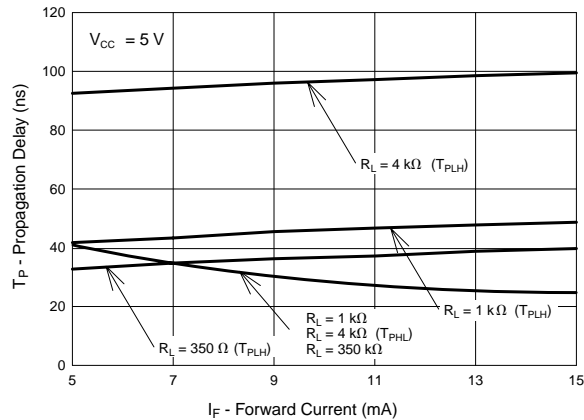
**Fig.1 Low Level Output Voltage vs. Ambient Temperature**



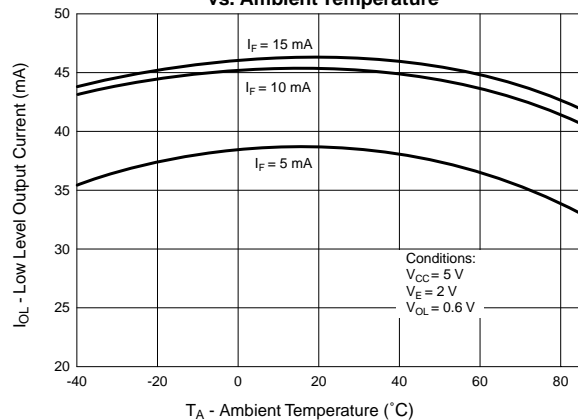
**Fig. 2 Input Diode Forward Voltage vs. Forward Current**



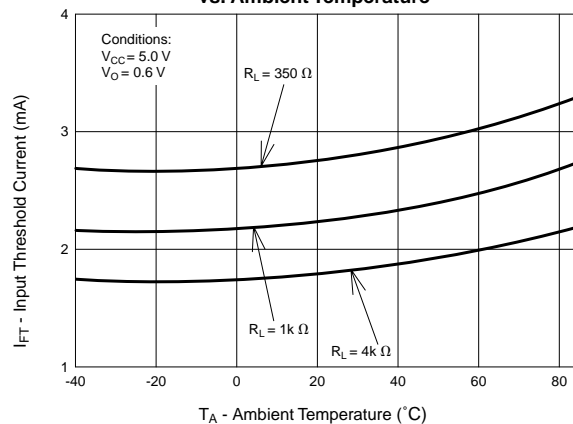
**Fig.3 Switching Time vs. Forward Current**



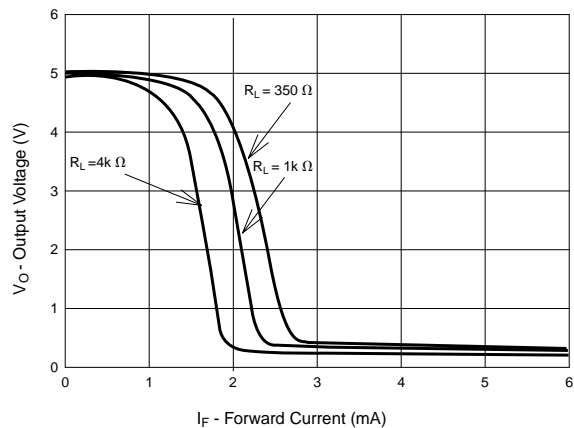
**Fig. 4 Low Level Output Current vs. Ambient Temperature**



**Fig. 5 Input Threshold Current vs. Ambient Temperature**



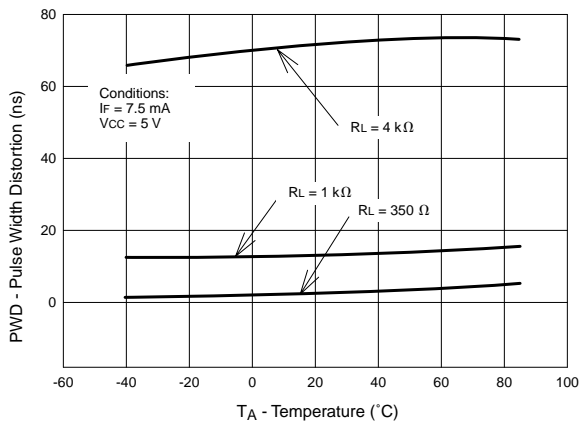
**Fig. 6 Output Voltage vs. Input Forward Current**



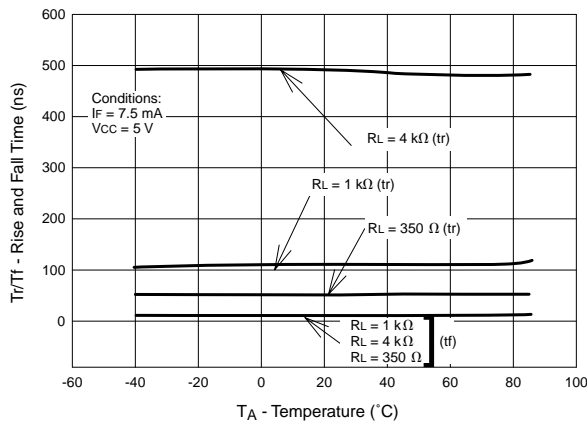
**SINGLE-CHANNEL**  
**6N137**  
**HCPL-2601**  
**HCPL-2611**

**DUAL-CHANNEL**  
**HCPL-2630**  
**HCPL-2631**

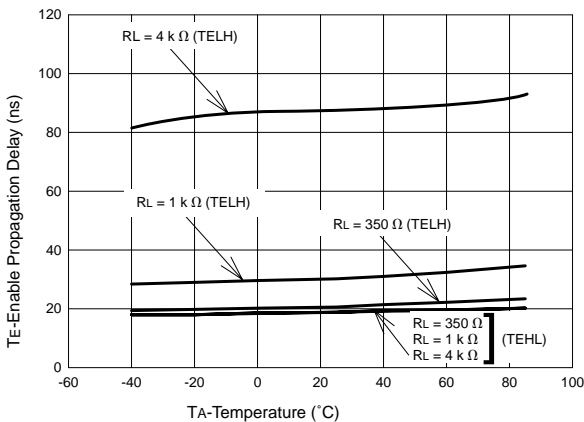
**Fig. 7 Pulse Width Distortion vs. Temperature**



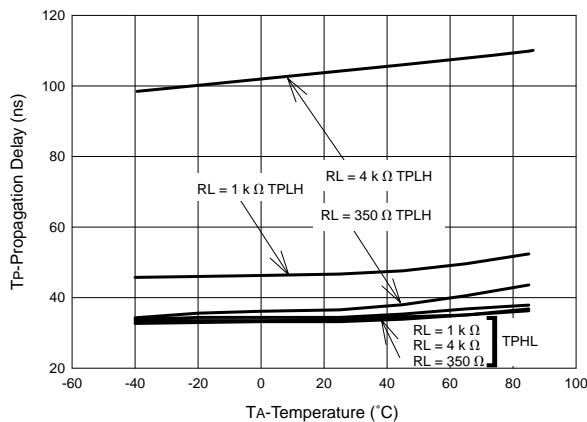
**Fig. 8 Rise and Fall Time vs. Temperature**



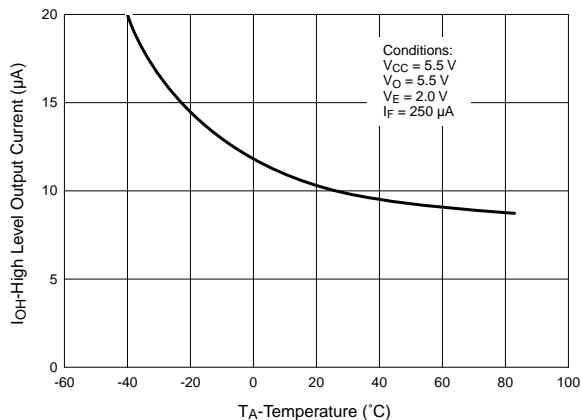
**Fig. 9 Enable Propagation Delay vs. Temperature**



**Fig. 10 Switching Time vs. Temperature**

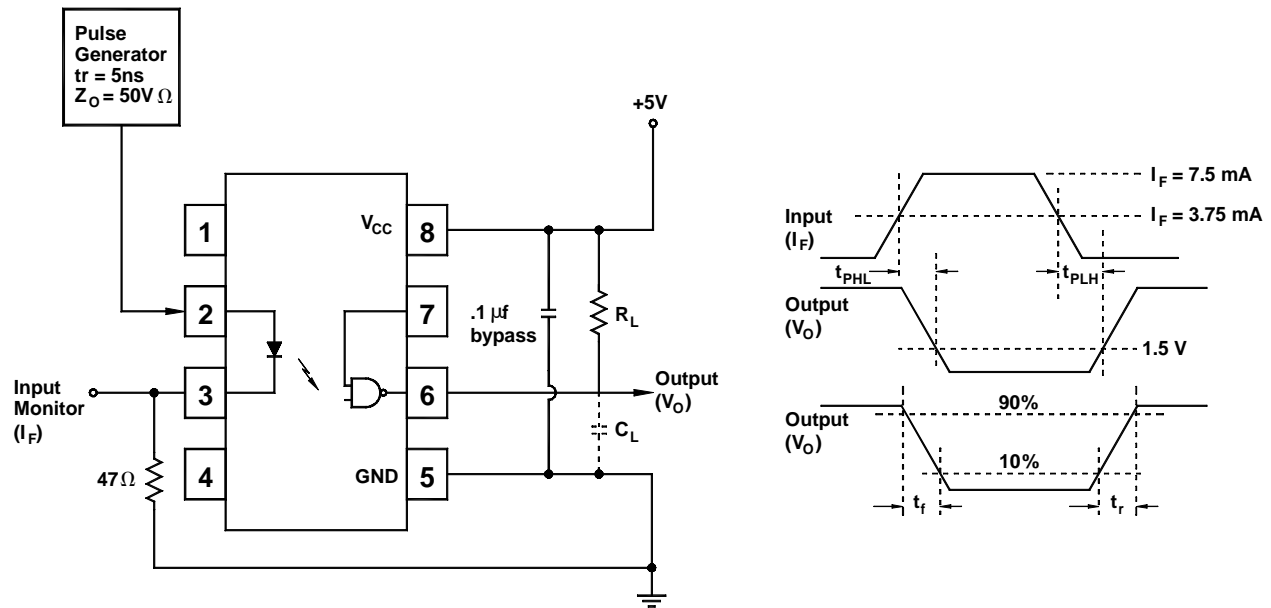


**Fig. 11 High Level Output Current vs. Temperature**

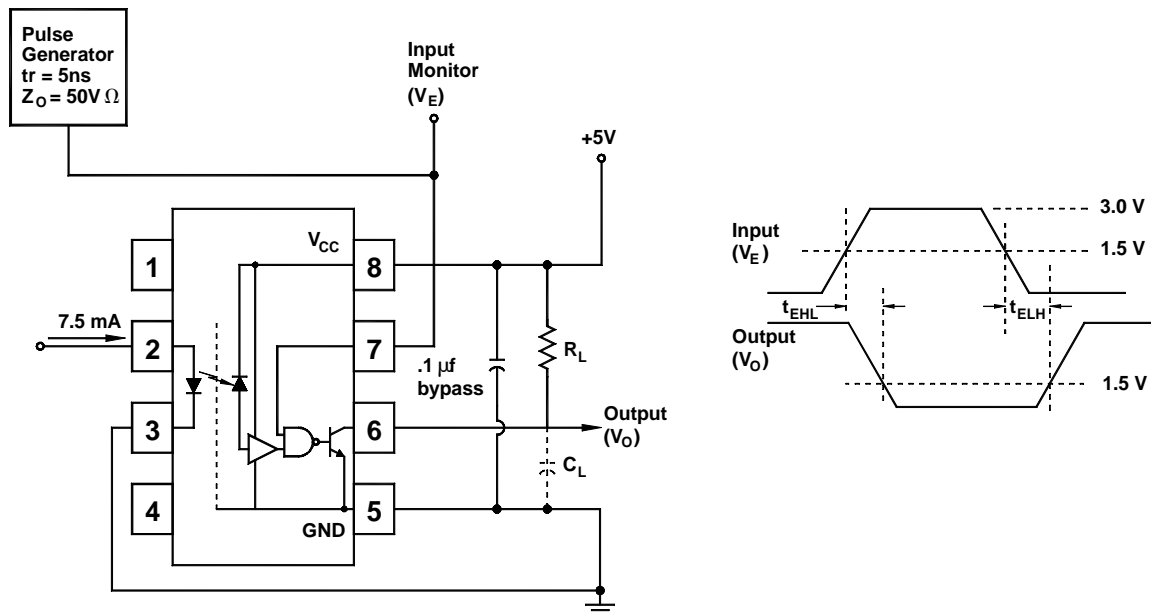


**SINGLE-CHANNEL**  
6N137  
HCPL-2601  
HCPL-2611

**DUAL-CHANNEL**  
HCPL-2630  
HCPL-2631



**Fig. 12 Test Circuit and Waveforms for  $t_{PLH}$ ,  $t_{PHL}$ ,  $t_r$  and  $t_f$ .**



**Fig. 13 Test Circuit  $t_{EHL}$  and  $t_{ELH}$ .**

**SINGLE-CHANNEL**  
6N137  
HCPL-2601  
HCPL-2611

**DUAL-CHANNEL**  
HCPL-2630  
HCPL-2631

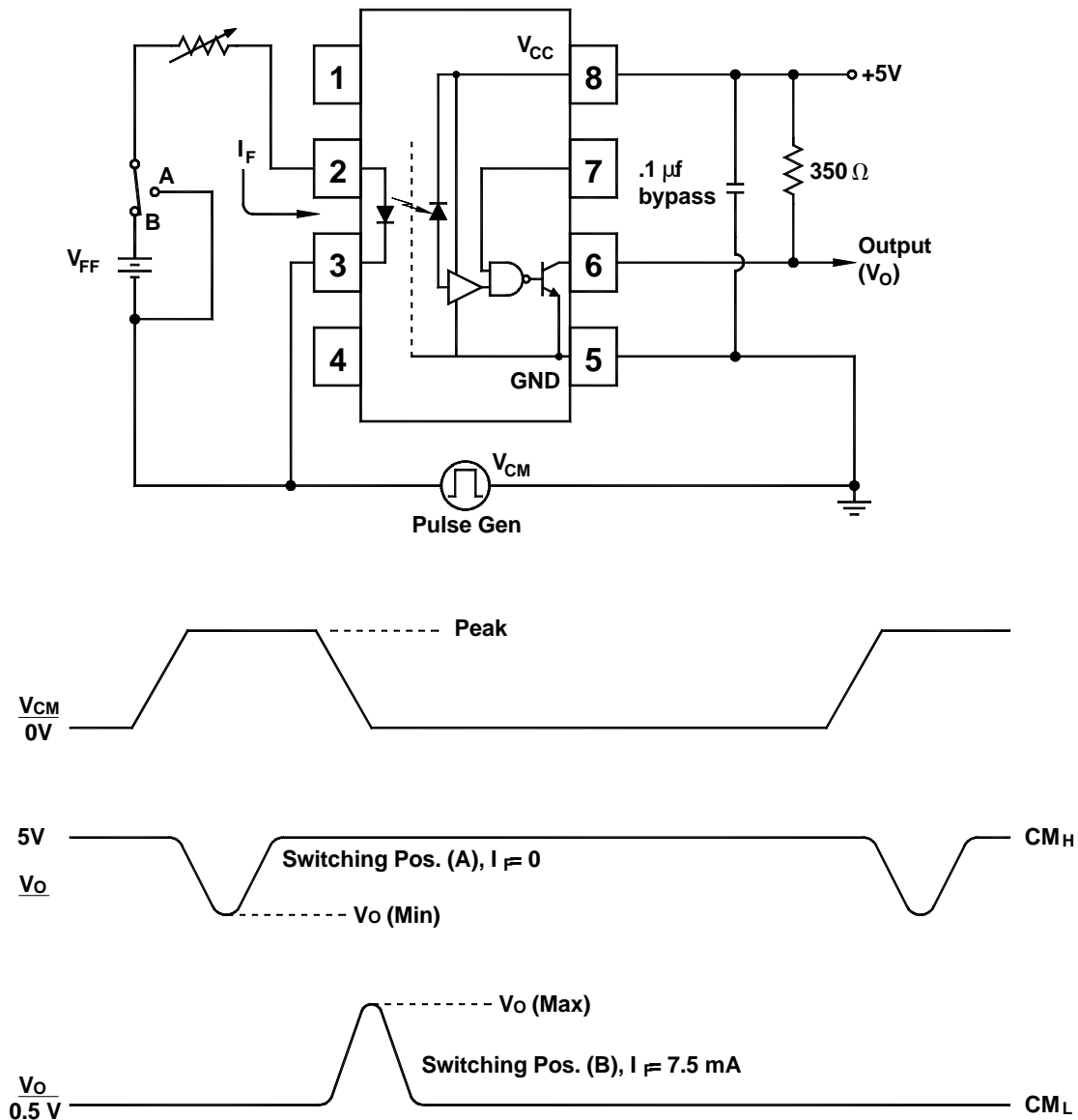


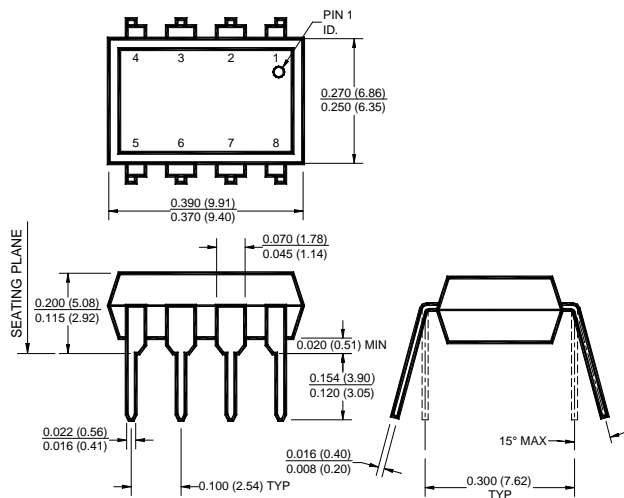
Fig. 14 Test Circuit Common Mode Transient Immunity



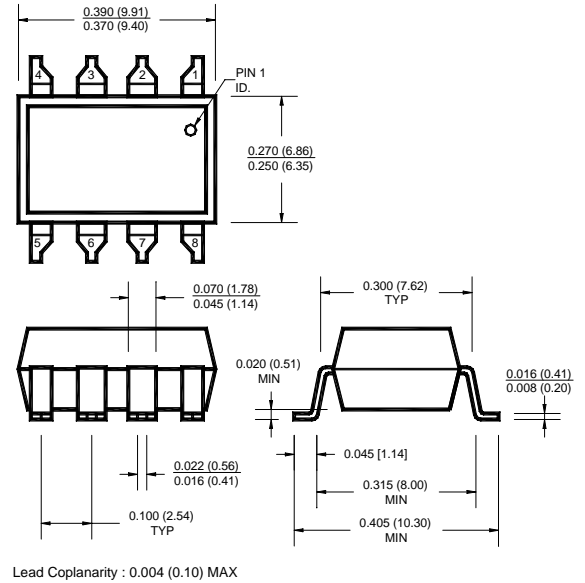
**SINGLE-CHANNEL**  
**6N137**  
**HCPL-2601**  
**HCPL-2611**

**DUAL-CHANNEL**  
**HCPL-2630**  
**HCPL-2631**

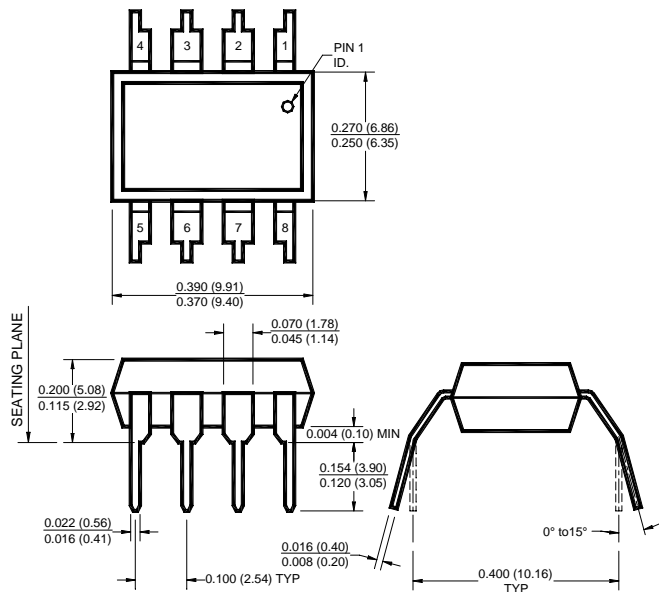
## Package Dimensions (Through Hole)



## Package Dimensions (Surface Mount)



## Package Dimensions (0.4" Lead Spacing)



### NOTE

All dimensions are in inches (millimeters)

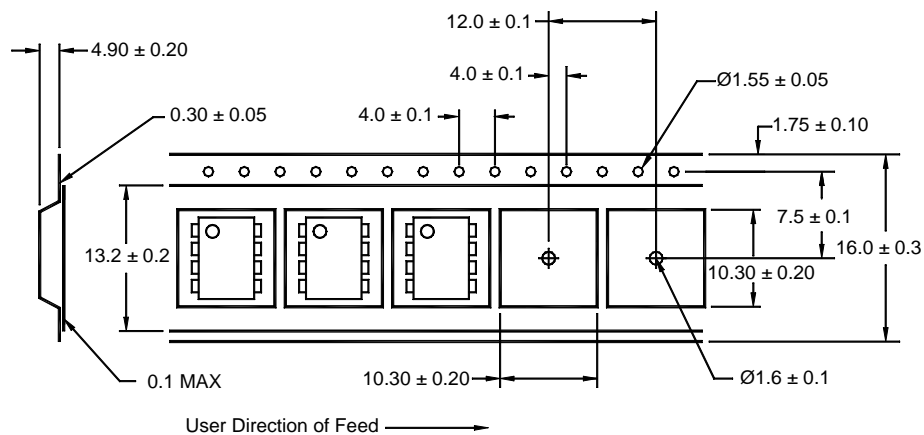
**SINGLE-CHANNEL**  
**6N137**  
**HCPL-2601**  
**HCPL-2611**

**DUAL-CHANNEL**  
**HCPL-2630**  
**HCPL-2631**

## ORDERING INFORMATION

Option	Order Entry Identifier	Description
R2	.R2	Opto Plus Reliability Conditioning
S	.S	Surface Mount Lead Bend
SD	.SD	Surface Mount; Tape and reel
W	.W	0.4" Lead Spacing

## QT Carrier Tape Specifications ("D" Taping Orientation)



### Corporate Headquarters

QT Optoelectronics  
 610 North Mary Avenue  
 Sunnyvale, CA 94086  
 (408) 720-1440 Phone  
 (408) 720-0848 Fax

### North American Sales

QT Optoelectronics  
 16775 Addison Rd., Suite 200  
 Addison, TX 75001  
 (972) 447-1300 Phone  
 (972) 447-0784 Fax

### European Sales

Quality Technologies Deutschland GmbH  
 Max-Huber-Strasse 8  
 D-85737 Ismaning, Germany  
 49 [0] 89/96.30.51 Phone  
 49 [0] 89/96.54.74 Fax

### European Sales

QT Optoelectronics  
 "Le Levant"  
 2, rue du Nouveau Bercy  
 F-94277-CHARENTON-LE PONT Cedex  
 FRANCE  
 33 [0] 1.45.18.78.78 Phone  
 33 [0] 1.43.75.77.57 Fax

### Asia/Pacific Sales

QT Optoelectronics  
 B613, 6th Floor  
 East Wing, Wisma Tractors  
 Jalan SS16/1, Subang Jaya  
 47500 Petaling Jaya  
 Selangor Darul Eshan, Malaysia  
 603/735-2417 Phone  
 603/736-3382 Fax

### European Sales

Quality Technologies (U.K) Ltd.  
 10, Prebendal Court, Oxford Road  
 Aylesbury, Buckinghamshire  
 HP19-3EY United Kingdom  
 44 [0] 1296/30.44.99 Phone  
 44 [0] 1296/39.24.32 Fax

www.qtopto.com

**Call QT Optoelectronics for more information or the phone number of your nearest distributor.**

United States 800-533-6786 • France 33 [0] 1.45.18.78.78 • Germany 49 [0] 89/96.30.51 • United Kingdom 44 [0] 1296 394499 • Asia/Pacific 603-7352417