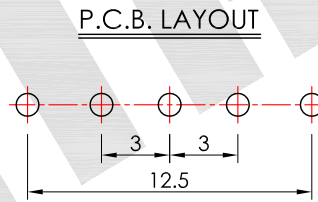
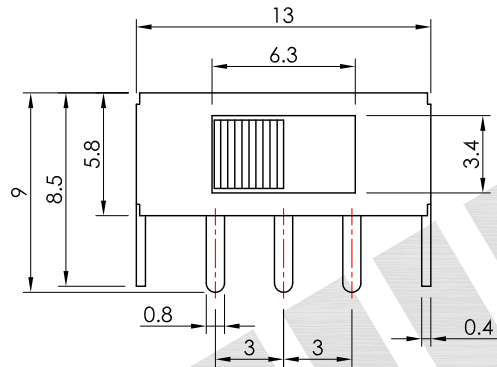
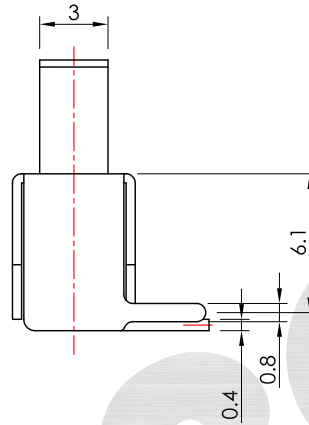
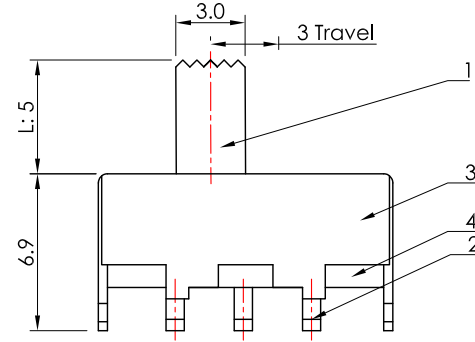


\*開關產品未經SWITRONIC同意，請勿拆解，否則無法負品質及安全責任。  
Please do not decompose the switch without any permission from SWITRONIC, otherwise the quality and safety responsibility could not be guaranteed.

\*本圖面若與目錄之規格尺寸不符，以本圖面規格尺寸為主。  
Below is our main specification if different from catalog.



**SPECIFICATION**

**Rating:** 0.5A 50V DC.  
**Timing:** Non-Shorting.  
**Contact resistance:** 30mΩ Max.(Initial)  
**Insulation resistance:** 100MΩ Min. at 500V DC.  
**Withstand voltage:** 500V AC for 1 minute.  
**Operating force:** 250±100g.  
**Life:** 10,000 Cycles Min.  
**Soldering temperature:** 230°C Max. for 3 seconds.  
**Soldering time:** 1 time only.

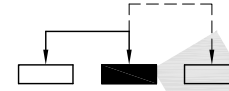
**Note1:** Unwashable, don't be immersed by epoxy and organic solvent.  
**Note2:** Please do not scale the drawing comparing to real product and kindly measure the size of real product.

**MATERIAL**

**Knob:** POM, black. ①  
**Terminal:** Brass strip, Ag plated. ②  
**Frame:** Iron strip, Ni plated. ③  
**Board:** Phenolic resin, nature. ④  
**Contact clip:** PBS strip, Ag plated.

RoHS compliant

SCHEMATIC



SS12F23GX-HA-G

OPTIONAL KNOB SIZE (L)  
2 - 10



保存注意事項：

Precautions for preservation:

- 此產品為鍍銀或鍍金產品，裸露在空氣中極易氧化，會造成冷焊或焊接不良。  
建議拆封後，未使用完的開關務必放入袋內，並置入乾燥劑後密封袋口，以防氧化。  
This is a silver-plated or gold-plated product, which can be easily oxidized when exposed to air that may cause cold welding or poor welding. We recommend that after unpacking, the unused switch must be preserved into a sealed bag with desiccant to prevent oxidation.
- 若產品拆封後，客戶未盡妥善保存之責，造成產品氧化，我司無法負保固責任。  
After the product is unpacked, if the customer fails to properly preserve the product, causing the product to oxidize, our company cannot be held responsible for the warranty.

V2.0	無	新繪製	2017.09.07
版本	符號	修改內容	更新日期
VER.	SYMBOL	ALTERATION	DATE

產品 PRODUCT	Slide Switch		型號 MODEL NO.	SS12F23G5-HA-G
製圖 DRAWN BY	核圖 CHECKED BY	主管 APPROVED BY	單位 UNIT	mm
Jke Hwang	Chuck Young	Margaret Lee	比例 SCALE	3 : 1
			公差 TOLERANCE	.X=±0.3mm, .XX=±0.2mm

**SWITRONIC**<sup>®</sup>  
INDUSTRIAL CORP.  
**Switches**



一綺電子企業股份有限公司

總公司：110 台北市信義路四段415號13樓之3  
13F-3, NO.415, SEC.4, HSIN YI ROAD, TAIPEI, TAIWAN  
TEL : 886-2-27290229(Rep.) FAX : 886-2-27582086  
URL : www.switronic.com E-MAIL : switches@ms36.hinet.net