

Instructions for SR-10XX Series& RGBY Controller

SR-10XX Series full-color LED controllers features high-reliability and cost-effective, mainly comes in two types constant voltage series and constant current series. There are lots of items for each type, e.g manual manipulation, wireless remote controlling, etc. The controllers has maximum four-channel output functioning as RGBY controller and functioning as RGB controller if only three channels output are used.

I . Parameter

1. SR-101X Constant Voltage Controller

Input voltage: 12-36V

Load current: $3 \times 5A$ (or $4 \times 5A$)

Max. Load Power: $3 \times 60-108W$ (or $4 \times 60-108W$)

Working Temperature: $-20-+50^{\circ}C$

Load Type: 0.04-0.1W LED Type

Speed Level: 8 Levels

Brightness Level: 8 Levels

Changing mode: 13 modes (9 dynamic modes, 4 static modes)

Remote controlling distance: >20 meters

Dimension: $L178 \times W45 \times H19mm$

2. SR-101X Constant current Controller

Input voltage: 12-36V

Load current: 3 or $4 \times 350mA(700mA)$

Max. Load Power: $3/4 \times 4.2-12.6$ (8.4-25.2) W

Work Temperature: -20-+50°C

Load Type: 1W(or 3W) LED Type

Speed Level: 8 Levels

Brightness Level: 8 Levels

Changing mode: 13 modes (9 dynamic modes, 4 static modes)

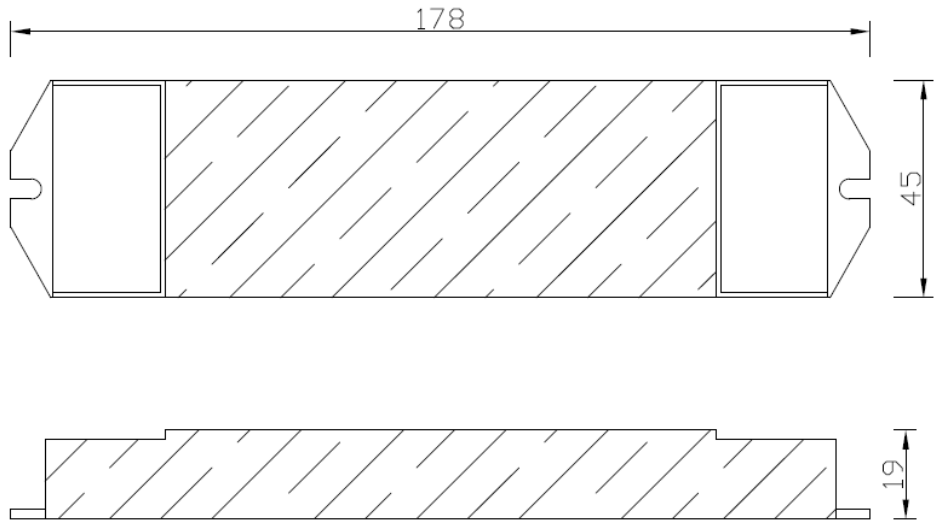
Remote controlling distance: >20 meters

Dimension: L178×W45×H19mm

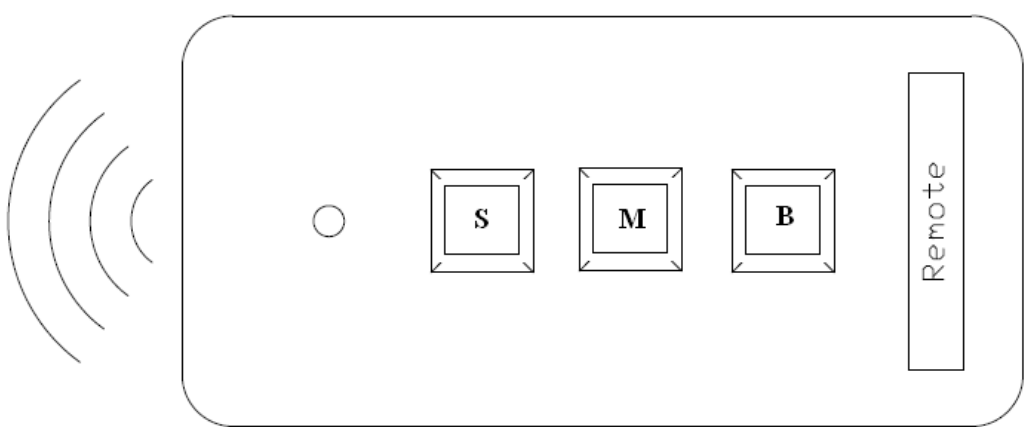
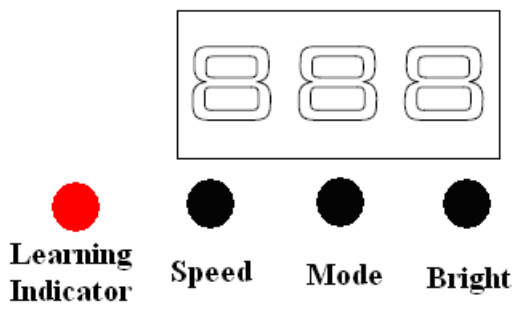
ii. Features:

1. 256 levels of grey scales for RGB/RGBY, full-color changing gently, smooth, subtly and softly without any flash,
2. 9 dynamic modes, gradient, skipping, etc. 4 static colors(R,G,B,Y)
3. To stop at a single static color(R,G,B,Y available), speed & brightness adjustable with the function Pause
4. To work with our power repeater to expand output and drive led products unlimitely

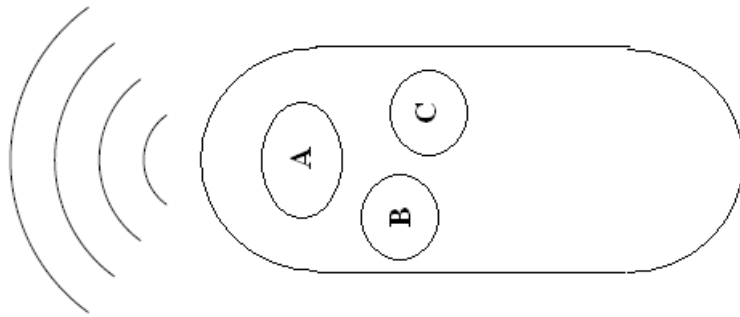
iii. Dimension:



iv. Directions



Standard remote controller



Mini remote controller

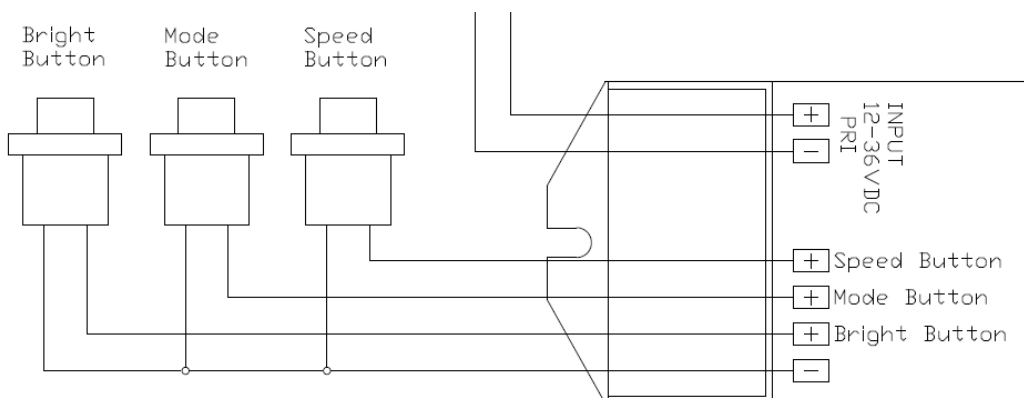
Three keys on main controller

No.	Button	Function
1	SPEED	To speed up/down color changing(1-8 level cycling changing)
2	MODE	Modes of color changing(9 dynamic modes,4 static modes)
3	BRIGHT	To adjust the brightness (1-8 level cycling changing)

Three keys on remote controllers

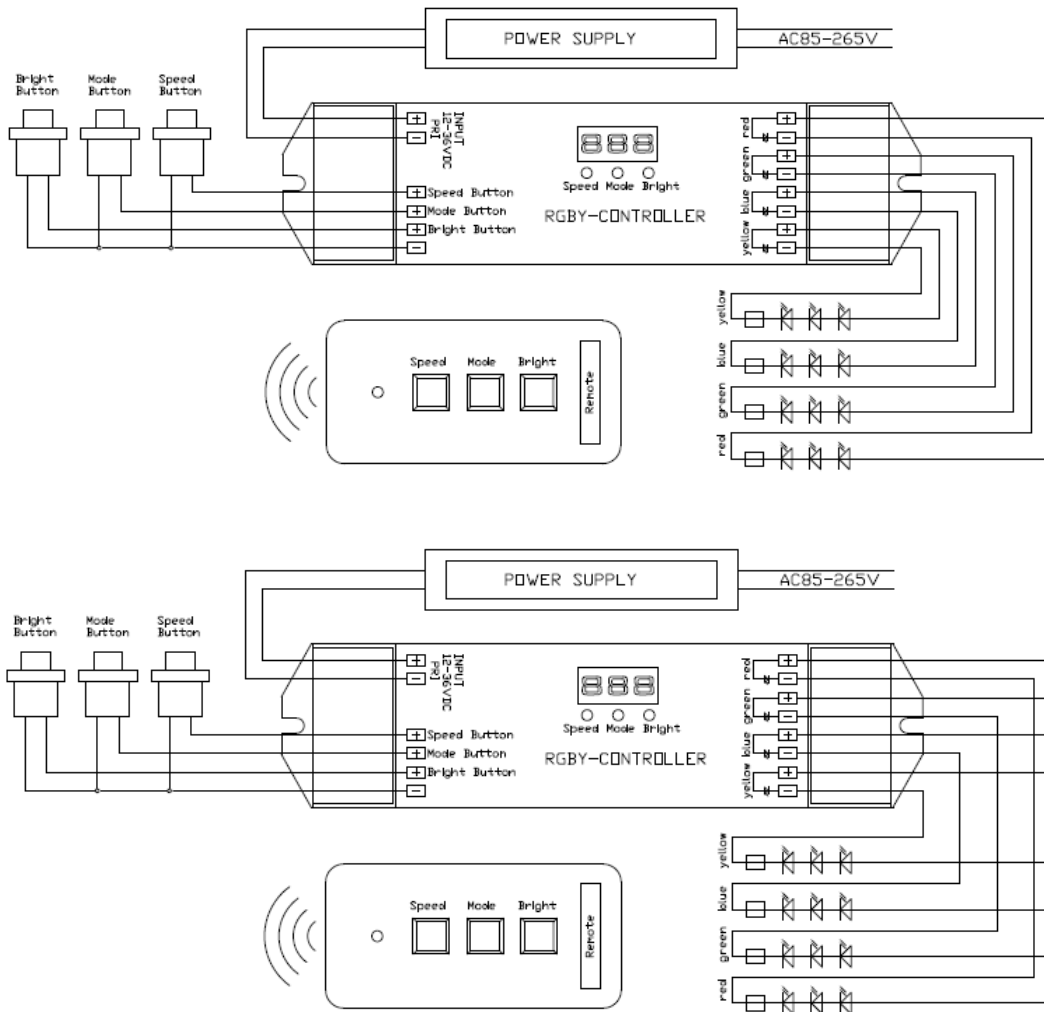
NO	Buttons of standard remote controller	Buttons of Mini remote controller	Functions
1	A	S	To speed up/down color changing(1-8 level cycling changing)
2	B	M	Modes of color changing(9 dynamic modes,4 static modes)
3	C	B	To adjust the brightness (1-8 level cycling changing)

Besides Remote controlling is also available under the circumstance wire connecting terminal plugging in switches on remote controller, drawing as follows:

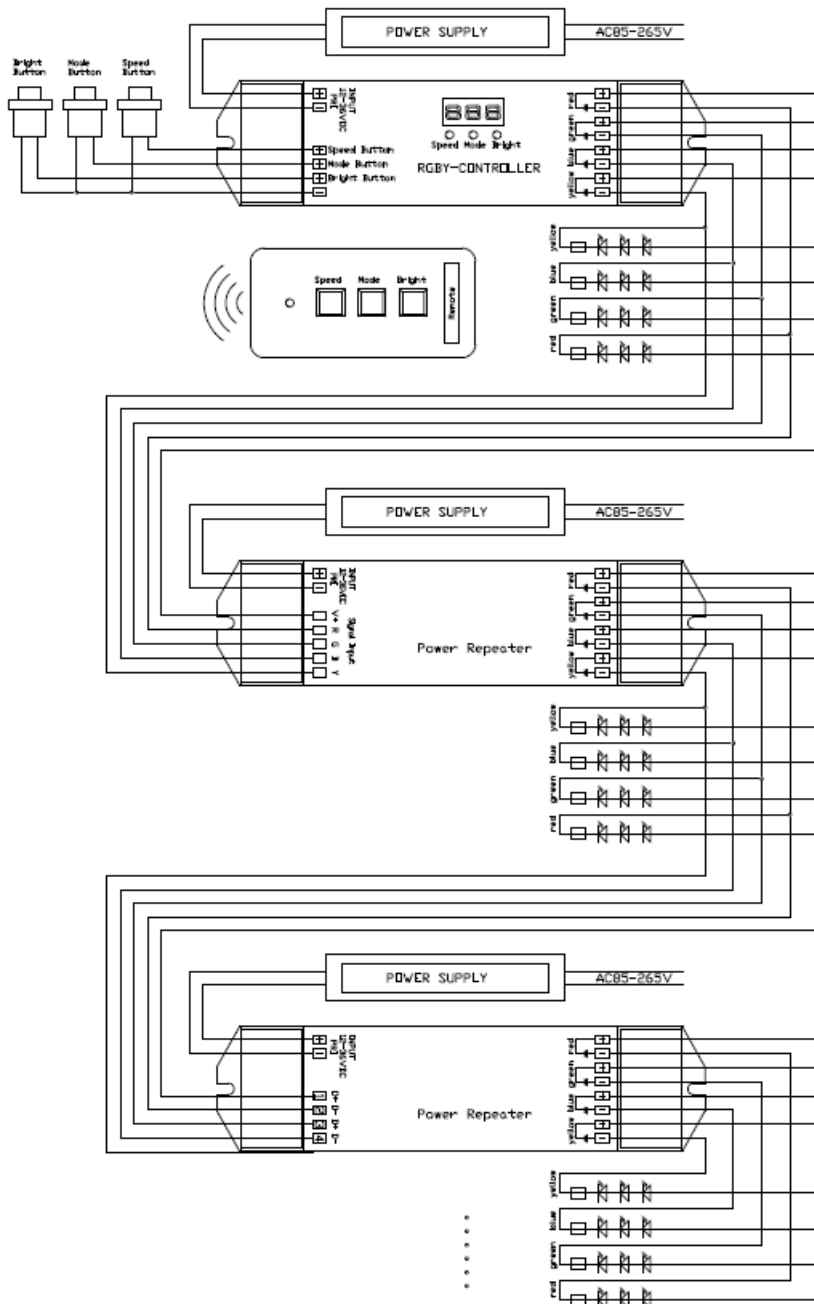


v. Connection diagram

1.Connection diagram for single controller



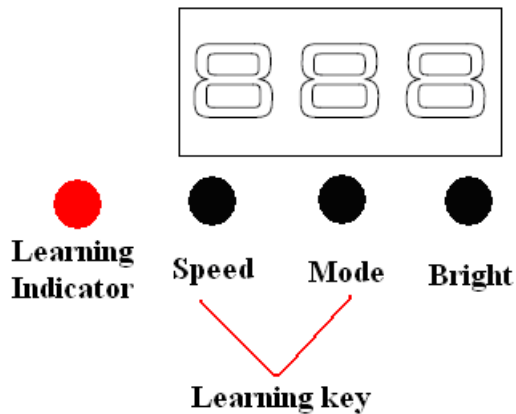
2. Connection diagram for connecting power repeaters



vi. Remote controlling learning mode

To use remote controller for the first time, it must be learned by LED controller. Methods are: hold button SPEED & MODE on LED controller concurrently for 3 seconds, The LED indicator will turn on, then press any key on the controller(hold it for over 2S), the indicator will give out a flash which signifies learning mode is activated now, you can use the controller normally

from then on. Use the same method to apply on other remote controllers, one LED controller can learn ten remote controllers(maximum).



VI. malfunctions analysis & troubleshooting

Malfunctions	Causes	Troubleshooting
Can not learn the remote controller	<ol style="list-style-type: none"> 1. learning duration (only within 3S) exceeded 3S 2. insufficient duration of holding remote controller 	<ol style="list-style-type: none"> 1. when indicator turns on, press any key on remote controller ASAP 2. ensure the duration of holding remote controller over 2S
Can not remote control	<ol style="list-style-type: none"> 1. learning mode hasn't activated 2. remote controlling distance is out of range 3. insufficient duration of holding the button 	<ol style="list-style-type: none"> 1. activate the learning mode 2. shorten the remote controlling distance 3. ensure the duration of holding the button is over 1S
Wrong color	RGB wires wrongly connected	Reconnect RGB wires
LED flashing	Insufficient power	Replace a higher power supply