

## PIC-LCD development board

## Users Manual

Rev.A, September 2008

Copyright(c) 2008, OLIMEX Ltd, All rights reserved

## INTRODUCTION:

PIC-LCD is simple but powerful board which uses Microchip's PIC18F8490 microcontroller. PIC-LCD is equipped with LCD display, three user buttons, LED, possibility for battery power supply, thermistor and buzzer. This board is excellent for applications in monitoring (temperature measuring) and alarm systems.

## BOARD FEATURES:

- MCU: PIC18F8490 with 16KB Flash memory, 768 B RAM memory, LCD driver, 10bit ADC, PWM, SPI, I2C, EUSART, timers, comparators, up to 40 MHz operation
- ICSP connector for PIC-ICD2 debugger or PIC-PGx programmers
- RS232 driver and connector
- Status LED with jumper
- Three user buttons
- Buzzer
- 20 MHz crystal on socket (may be changed to any value by the user)
- 32768 Hz crystal on-board
- On-board thermistor for temperature measurement
- Extension connector for the unused PIC ports
- Backup +4.5 battery connector
- Single power supply: 6 VAC or 9 VDC required (must not exceed 12 VDC or input voltage regulator will be destroyed!)
- PCB: FR-4, 1.5 mm (0.062"), soldermask, silkscreen component print
- Dimensions 72.6 x 64 mm (3 x 2.5")

## ELECTROSTATIC WARNING:

The PIC-LCD board is shipped in protective anti-static packaging. The board must not be subject to high electrostatic potentials. General practice for working with static sensitive devices should be applied when working with this board.

## BOARD USE REQUIREMENTS:

**Cables:** 1.8 meter USB A-B cable to connect PIC-ICD2 or PIC-ICD2-POCKET to USB host on PC. If you use PIC-PGx, you will need RS232 cable. Other cables might be required in case of other programming/debugging tools.

**Hardware:** Programmer/Debugger – **PIC-ICD2, PIC-ICD2-POCKET, PIC-PGx** or other compatible programming/debugging tool.

**!!!Warning!!!** When you want to program this microcontroller with PIC-ICD2, PIC-ICD2-POCKET or PIC-ICD2-TINY, before connecting the programmer to your target board, you should first connect the programmer to your computer and open MPLAB. There, first from menu Configure – Select Device – choose the microcontroller you are about to program, then from menu Programmer – Select Programmer – choose MPLAB ICD 2, wait while MPLAB is downloading operation system, and after ICD2 is connected – check in menu Programmer – Settings – Power – there is option – Power target circuit from MPLAB ICD 2 – this

option should be forbidden, you could not select it. Now it is safe to connect the programmer to your target board.

**Software:** **MPLAB IDE (latest version), MPLAB C18 Compiler** or any other compatible development/programming software.

## PROCESSOR FEATURES:

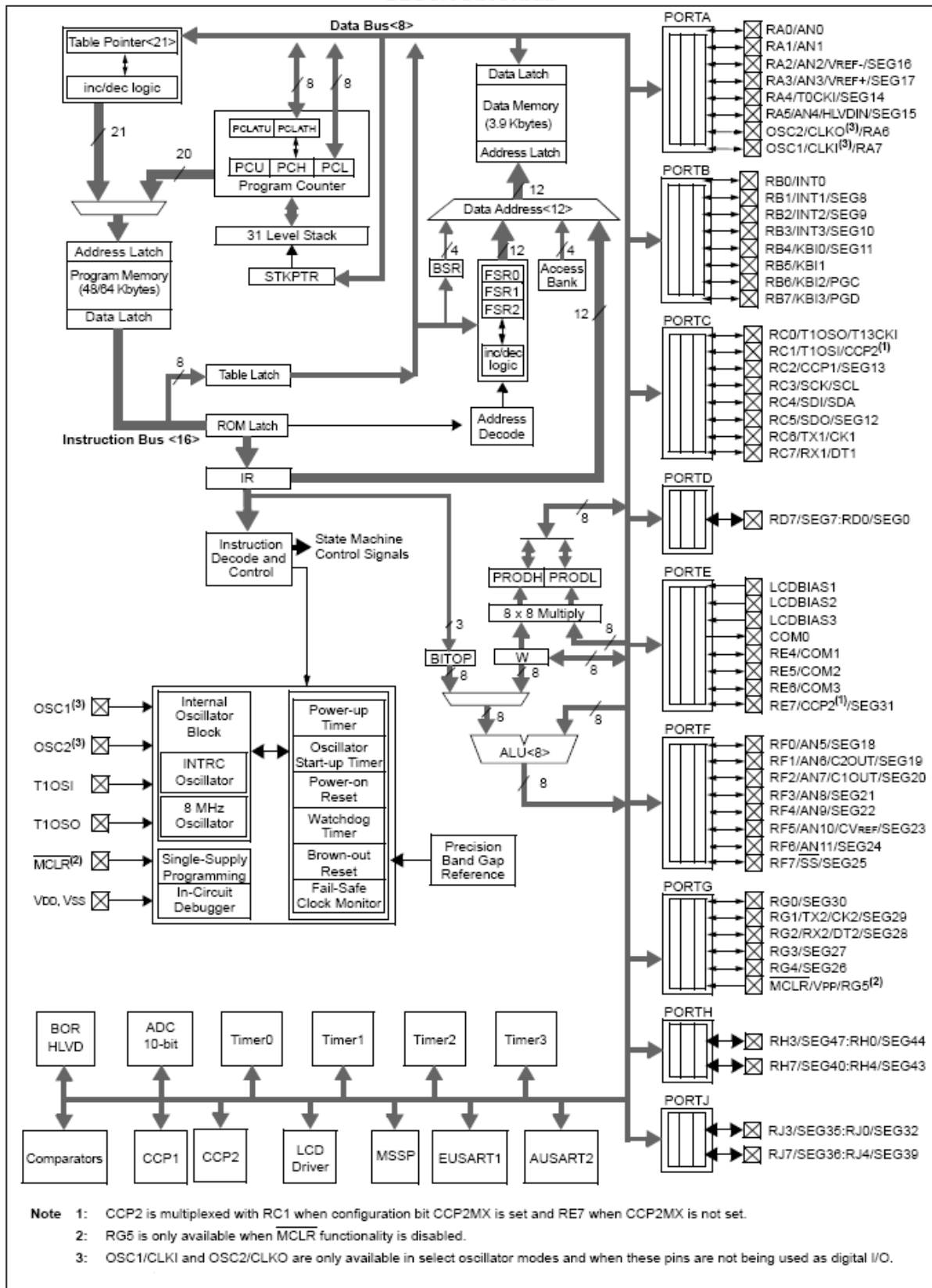
**PIC-LCD** board use MCU **PIC18LF8490** from Microchip with these features:

- Direct driving of LCD panel
- Up to 48 segments: Software Selectable
- Programmable LCD timing module:
  - o Multiple LCD timing sources available
  - o Up to 4 commons: Static, 1/2, 1/3 or 1/4 multiplex
  - o Static, 1/2 or 1/3 bias configuration
- Can drive LCD panel while in Sleep mode
- Power managed modes:
  - o Run: CPU on, peripherals on
  - o Idle: CPU off, peripherals on
  - o Sleep: CPU off, peripherals off
  - o Idle mode currents down to 5.8 A typical
  - o Sleep current down to 0.1 A typical
  - o Timer1 Oscillator: 1.8 A, 32 kHz, 2V
  - o Watchdog Timer: 2.1 A
  - o Two-Speed Oscillator Start-up
- Four Crystal modes:
  - o LP: up to 200 kHz
  - o XT: up to 4 MHz
  - o HS: up to 40 MHz
  - o HSPLL: 4-10 MHz (16-40 MHz internal)
- 4x Phase Lock Loop (available for crystal and internal oscillators)
- Two External RC modes, up to 4 MHz
- Two External Clock modes, up to 40 MHz
- Internal oscillator block:
  - o 8 user selectable frequencies, from 31 kHz to 8 MHz
  - o Provides a complete range of clock speeds from 31 kHz to 32 MHz when used with PLL
  - o User-tunable to compensate for frequency drift
- Secondary oscillator using Timer1 @ 32 kHz
- Fail-Safe Clock Monitor:
  - o Allows for safe shut down of device if primary or secondary clock fails
- High current sink/source 25 mA/25 mA
- Four external interrupts
- Four input-change interrupts
- Four 8-bit/16-bit Timer/Counter modules
- Real-Time Clock (RTC) Software module:
  - o Configurable 24-hour clock, calendar, automatic 100-year or 12800-year, day-of-week calculator
  - o Uses Timer1
- Up to 2 Capture/Compare/PWM (CCP) modules
- Master Synchronous Serial Port (MSSP) module supporting 3-wire SPI™ (all 4 modes) and I2C™ Master and Slave modes
- Addressable USART module:
  - o Supports RS-485 and RS-232
- Enhanced Addressable USART module:
  - o Supports RS-485, RS-232 and LIN 1.2
  - o Auto-wake-up on Start bit
  - o Auto-baud Detect
- 10-bit, up to 12-channel Analog-to-Digital Converter module (A/D):
  - o Auto-acquisition capability

- Conversion available during Sleep
- Dual analog comparators with input multiplexing
- C compiler optimized architecture
  - Optional extended instruction set designed to optimize re-entrant code
- 1000 erase/write cycle 16 KB Flash program memory typical
- Flash Retention: 100 years typical
- 768 B SRAM
- Priority levels for interrupts
- 8 x 8 Single-Cycle Hardware Multiplier
- Extended Watchdog Timer (WDT):
  - Programmable period from 4 ms to 132 s
  - 2% stability over VDD and temperature
- In-Circuit Serial Programming™ (ICSP™) via two pins
- In-Circuit Debug (ICD) via two pins
- Wide operating voltage range: 2.0V to 5.5V

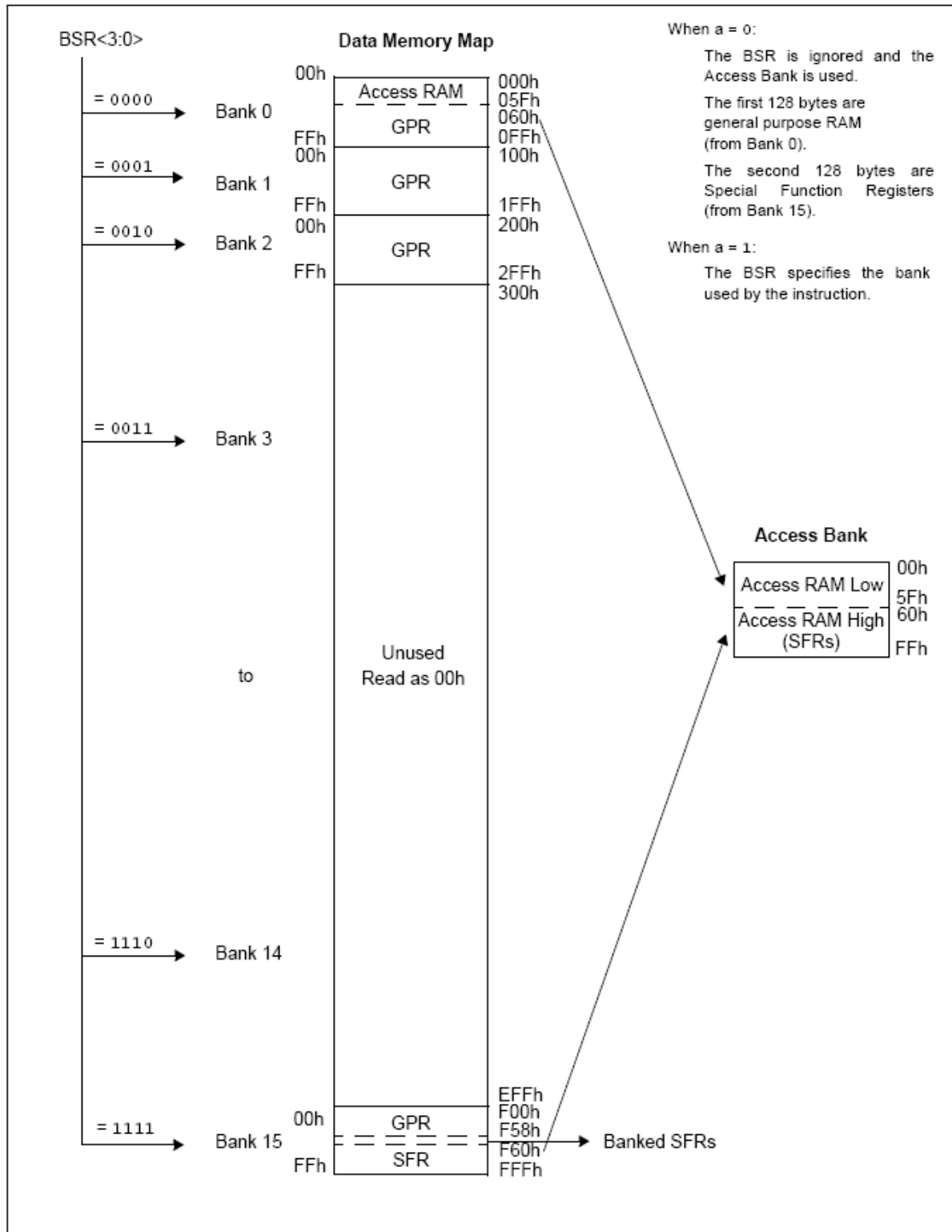
# BLOCK DIAGRAM:

## BLOCK DIAGRAM

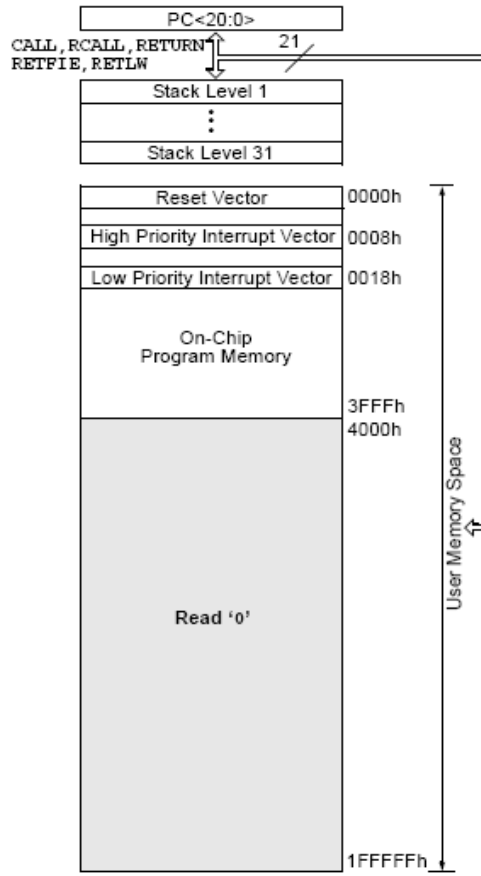


# MEMORY MAP:

**DATA MEMORY MAP FOR PIC18F8490**



**PROGRAM MEMORY MAP FOR PIC18F8490**

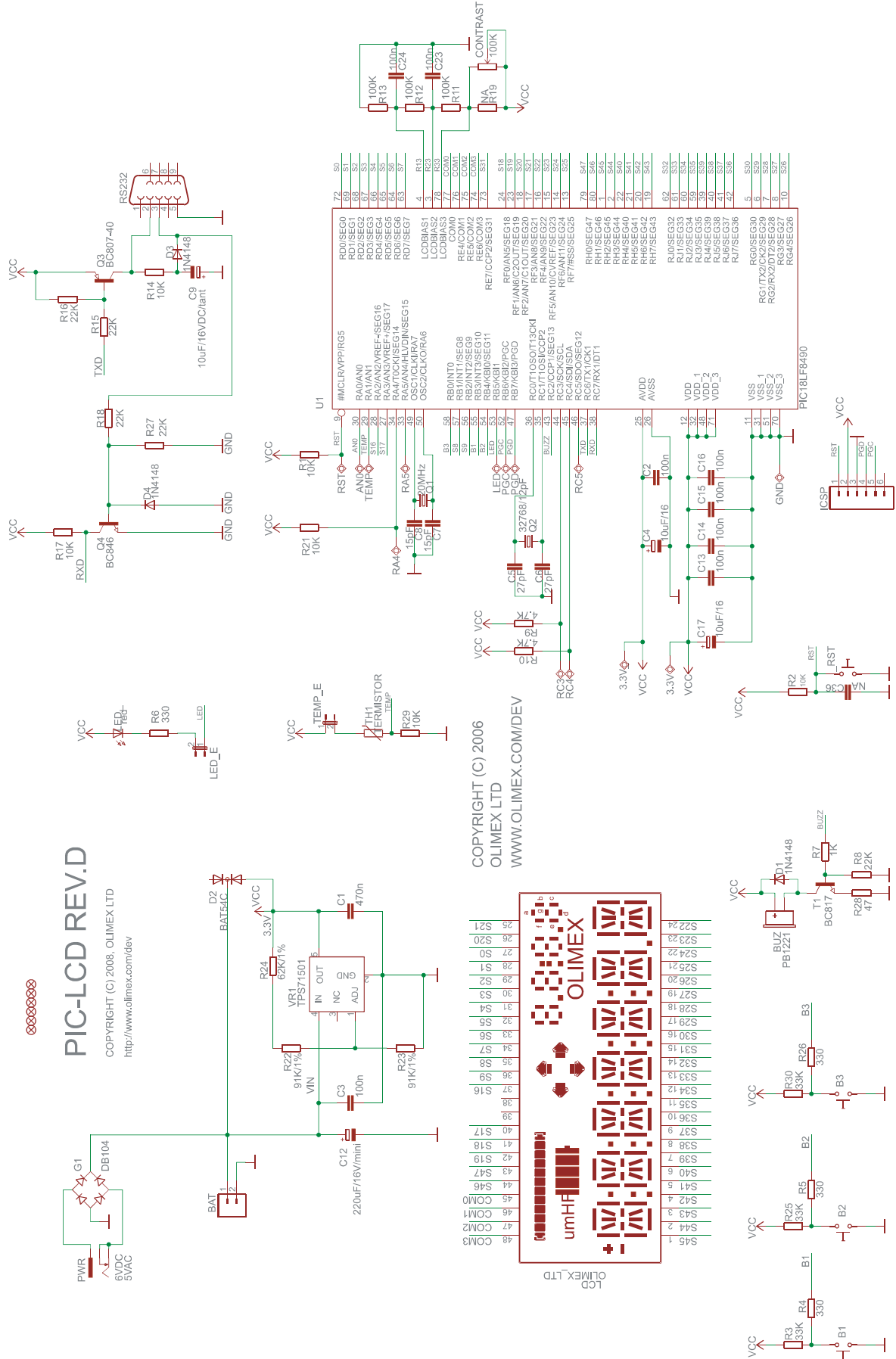




# SCHEMATIC:

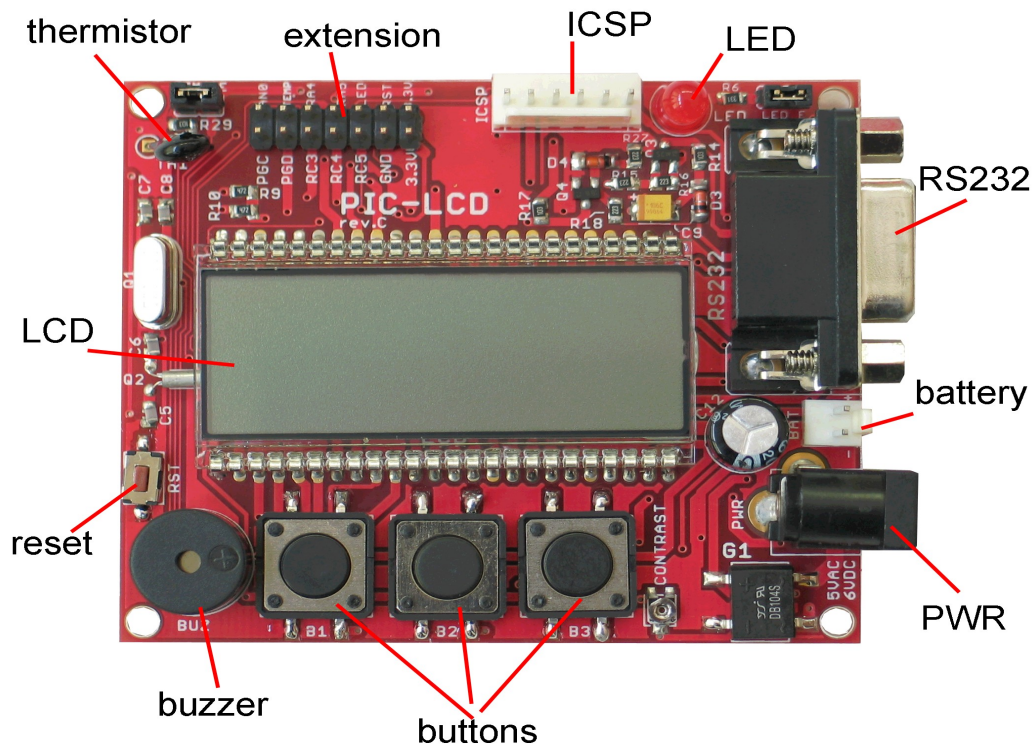
## PIC-LCD REV.D

COPYRIGHT (C) 2008, OLIMEX LTD  
<http://www.olimex.com/dev>



COPYRIGHT (C) 2006  
 OLIMEX LTD  
 WWW.OLIMEX.COM/DEV

## BOARD LAYOUT:



## POWER SUPPLY CIRCUIT:

**PIC-LCD** should be supplied with 6 VAC or +(6-9)VDC. The voltage should not exceed 12 VDC because otherwise the input voltage regulator will be destroyed. The board could also take power from a battery +(4.5-6)VDC.

The board power consumption at 6VDC is up to 10mA.

## RESET CIRCUIT:

**PIC-LCD** reset circuit is realized with a reset button (RST) and the pull-up resistor R2 (10k).

## CLOCK CIRCUIT:

Quartz crystal 20 MHz is connected to **PIC18F8490** pin 49 clock in (OSC1/CLKI/RA7) and pin 50 clock out (OSC2/CLKO/RA6).

Quartz crystal 32.768 kHz is connected to **PIC18F8490** pin 35 (RC1/T1OSI/CCP2) and pin 36 (RC0/T1OSO/T13CKI) and supplies the Timer1 which could function as a Real Time Clock.

## JUMPER DESCRIPTION:



LED\_E

enables the LED to be controlled by the **PIC18F8490**.  
Default state is closed.



TEMP\_E

When this

jumper is closed the thermistor is supplied with Vcc voltage.  
Default state is closed.

## INPUT/OUTPUT:

**Status red LED** connected to **PIC18F8490** pin 53 (RB5/KBI1).

**Thermistor TH1** connected to **PIC18F8490** pin 29 (RA1/AN1).

**Trimmer CONTRAST** which changes the contrast of the LCD.

**Buzzer** with name **BUZZ** connected to **PIC18F8490** pin 43  
(RC2/PP1/SEG13).

**Reset button** with name **RST** connected to **PIC18F8490** pin 9  
(#MCLR/VPP/RG5).

**User button B1** connected to **PIC18F8490** pin 55 (RB3/INT3/SEG10).

**User button B2** connected to **PIC18F8490** pin 54 (RB4/KBI0/SEG11).

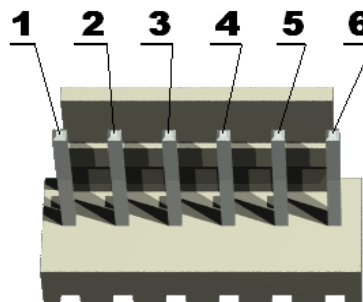
**User button B3** connected to **PIC18F8490** pin 54 (RB0/INT0).

**Liquid crystal display LCD.**

## EXTERNAL CONNECTORS DESCRIPTION:

### ICSP:

Pin #	Signal Name
1	RST
2	+3.3V
3	GND
4	PGD
5	PGC
6	NC

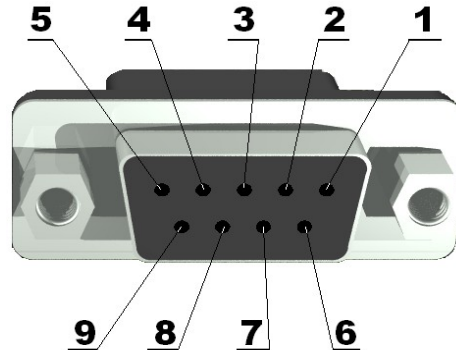


**PGD** I/O **Program Data.** Serial data for programming.

**PGC** Input **Program Clock.** Clock used for transferring the serial data (output from ICSP, input for the MCU).

**RS232:**

Pin #	Signal Name
1	NC
2	TX
3	RX
4	NC
5	GND
6	NC
7	NC
8	NC
9	NC

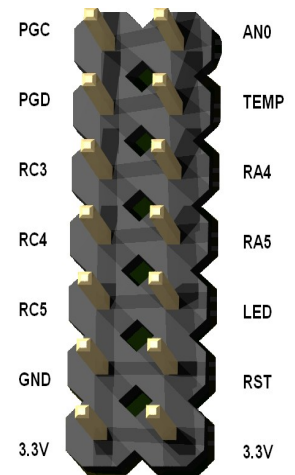


**TXD** Output **Transmit Data**. This is the asynchronous serial data output for the RS232 interface.

**RXD** Input **Receive Data**. This is the asynchronous serial data input for the RS232 interface.

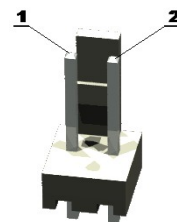
**EXT:**

Pin #	Signal Name	Pin#	Signal Name
1	PGC	2	AN0
3	PGD	4	TEMP
5	RC3	6	RA4
7	RC4	8	RA5
9	RC5	10	LED
11	GND	12	RST
13	3.3V	14	3.3V



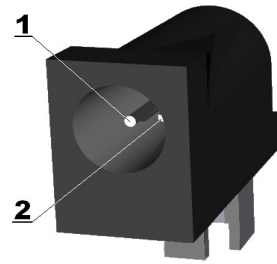
**BAT:**

Pin #	Signal Name
1	+(4.5-6.0)VDC
2	GND



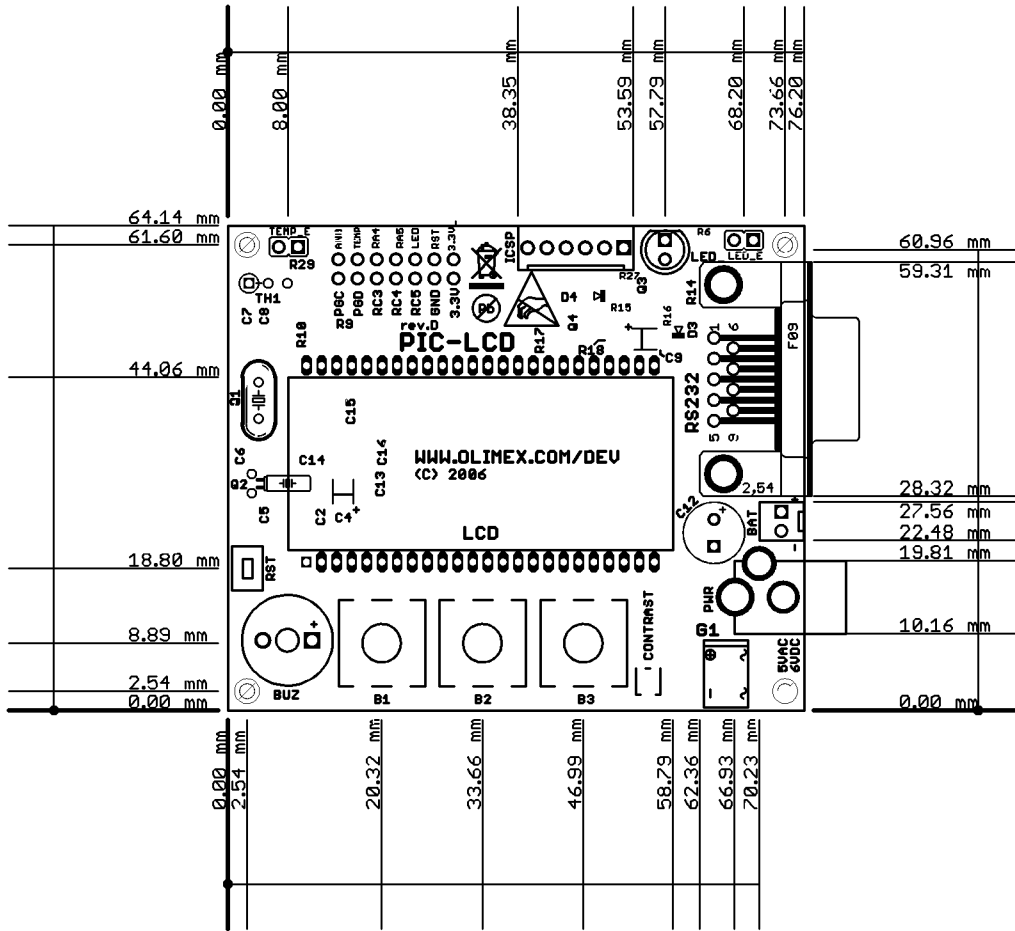
**PWR:**

Pin #	Signal Name
1	PWR
2	GND



You should apply either 6 VAC or +(6-9) VDC at the PWR pin.

# MECHANICAL DIMENSIONS:



All measures are in mm.

## **AVAILABLE DEMO SOFTWARE:**

You could find information about PIC-LCD demo software at [www.olimex.com/dev](http://www.olimex.com/dev).

## ORDER CODE:

**PIC-LCD** – assembled and tested (no kit, no soldering required).

How to order?

You can order to us directly or by any of our distributors.

Check our web [www.olimex.com/dev](http://www.olimex.com/dev) for more info.



All boards produced by Olimex are RoHS compliant

## Revision history:

REV.A            - created            September 2008



**Disclaimer:**

© 2008 Olimex Ltd. All rights reserved. Olimex®, logo and combinations thereof, are registered trademarks of Olimex Ltd. Other terms and product names may be trademarks of others.

The information in this document is provided in connection with Olimex products. No license, express or implied or otherwise, to any intellectual property right is granted by this document or in connection with the sale of Olimex products.

Neither the whole nor any part of the information contained in or the product described in this document may be adapted or reproduced in any material form except with the prior written permission of the copyright holder.

The product described in this document is subject to continuous development and improvements. All particulars of the product and its use contained in this document are given by OLIMEX in good faith. However all warranties implied or expressed including but not limited to implied warranties of merchantability or fitness for purpose are excluded. This document is intended only to assist the reader in the use of the product. OLIMEX Ltd. shall not be liable for any loss or damage arising from the use of any information in this document or any error or omission in such information or any incorrect use of the product.