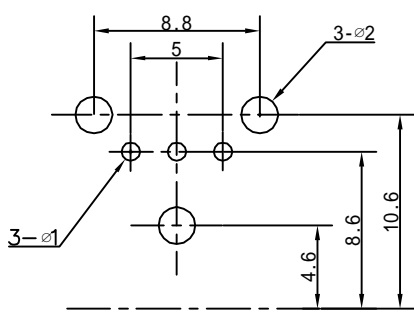
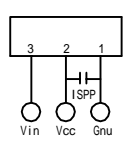


Dimensions of PC board holes



Circuit sketch



Unspecified tolerance is:
 0-6±0.1mm
 6-20±0.2mm
 >20±0.3mm

4	Plug	1	ABS(Black)	
3	Cover board	1	ABS(Black)	
2	House	1	PBT(Black)	
1	Contact pin	1	Import	
No:	Name	QTY	Material	Coat Cladding Material

Nurnber of old Base Map					GQ-03A				
Nurnber of Base Map									
Sign	Place Number	Changed document number	Signer	Date	Design Mark	Weight	Proportion	ZHEJIANG ZUANBAO ELECTRONIC Co.,Ltd.	
Date	Signer	Designer	Guang Qu	Standardization	A	B			
		Verifier		Approved	1 piece together		the first piece		
		Technology	HongChen Yang	Date	2008.2.26				