



## Features :

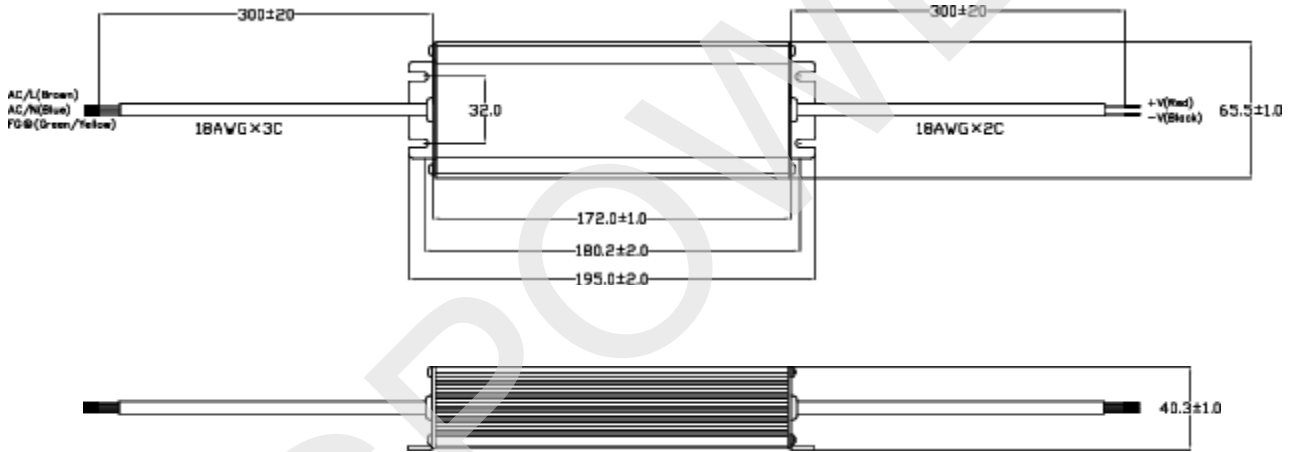
- Universal AC input/Full range
- Protections: Short circuit / Over Current / Over temperature
- Built-in active PFC function
- Fully encapsulated with IP67 level
- Class 2 power unit, pass LPS
- Cooling by free air convection
- 100% full load burn-in test
- High reliability
- Suitable for LED lighting and moving sign applications
- Compliance to worldwide safety regulations for lighting
- Damp / wet location outdoor application
- 3 years warranty

## SPECIFICATION:

MODEL		LGA-100P -1750	LGA-100P -2100	LGA-100P -2450	LGA-100P -2800	LGA-100P -3150	LGA-100P -3500
OUTPUT	DC VOLTAGE	60V	48V	42V	36V	32V	28V
	CONSTANT CURRENT REGION	48~60V	36~48V	30~42V	24~36V	20~32V	16~28V
	RATED CURRENT	1750mA	2100mA	2450mA	2800mA	3150mA	3500mA
	RATED POWER	105W	100.8W	102.9W	100.8W	100.8W	98W
	RIPPLE & NOISE (max.)	200mVp-p	200mVp-p	200mVp-p	200mVp-p	200mVp-p	200mVp-p
	VOLTAGE TOLERANCE	±3.0%			±2.0%		
	LINE REGULATION	±1.0%					
	LOAD REGULATION	±2.0%					
	SETUP,RISE TIME	1000ms, 80ms / 230VAC 1000ms, 80ms / 115VAC at full load					
HOLD UP TIME (Typ.)	60ms / 230VAC 30ms / 115VAC at full load						
INPUT	VOLTAGE RANGE	100 ~ 240VAC					
	FREQUENCY RANGE	47 ~ 63Hz					
	POWER FACTOR	PF>0.95/230VAC PF>0.98/115VAC at full load PF≥0.9 at 75 ~ 100% load, 115VAC / 230VAC					
	EFFICIENCY(Typ.)	88%	88%	88%	87%	87%	87%
	AC CURRENT(at full load)	1.4A / 115VAC 0.7A / 230VAC					
	INRUSH CURRENT (max.)	COLD START 65A/230VAC					
	LEAKAGE CURRENT	<1mA / 240VAC					
PROTECT ION	OVER CURRENT	Above 105%-110% of rated current					
	SHORT CIRCUIT	Hiccup mode, recovers automatically after fault condition is removed					
	OVER TEMPERATURE	Protection type : Shutdown o/p voltage, recovers automatically after temperature goes down					
ENVIRONMENT	WORKING TEMP.	-30 ~ +50 @ full load ; +70 @ 60% load					
	WORKING HUMIDITY	20 ~ 95% RH non-condensing					

	STORAGE TEMP., HUMIDITY	-40~80°C, 10~95% RH
	TEMP. COEFFICIENT	±0.03%/°C (0~50°C)
	VIBRATION	10 ~ 500Hz, 5G 12min./1cycle, period for 72min. each along X, Y, Z axes
SAFETY & EMC	SAFETY STANDARDS	Design refer to UL1310 Class 2, TUV EN61347-2-13, CAN/CSA C22.2 No. 223-M91, meet IP67
	WITHSTAND VOLTAGE	I/P-O/P:3.0KVAC I/P-FG:1.5KVAC
	ISOLATION RESISTANCE	I/P-O/P:>100M Ohms / 500VDC / 25~70% RH
	EMI CONDUCTION & RADIATION	Compliance to EN55015:2013+A1: 2015
	HARMONIC CURRENT	Compliance to EN61000-3-2 Class C ; EN61000-3-3
DIMENSION		195*65.5*40.3mm (L*W*H)

**Mechanica Specification:**



**Block Diagram:**

