



ELP1X3PS

Constant Current Power Supply

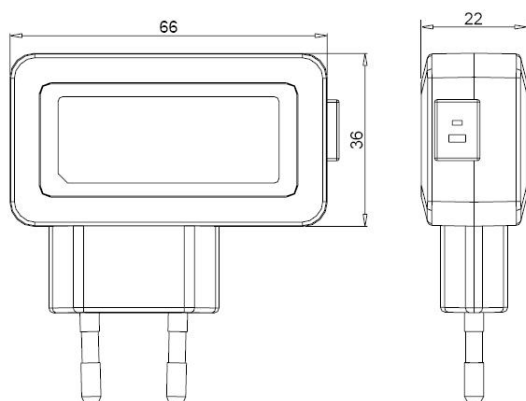
700mA / 3~3,5VDC / 1x3W LED / IP20



I. Technical data

GENERAL	
Input voltage	220~240VAC
Input frequency	50/60Hz
Input current	0,05A Max.
Output voltage	3~3,5VDC
Output current	700mA
Load range	1x3W LED
Output connection	Pluggable cable connection; Cable length 0,1-4,5 meter allowed
Power factor	≥0,5
Efficiency	≥60%
No load losses	<0,3W
Environment temperature	-5°C~+50°C
Surface temperature	80°C max.
Protection class	IP20
Lifetime	≥ 50000 hours (@ 25°C full load)
PROTECTION	
Isolation class	Class II, SELV
Short circuit protection	Resettable after fault removed
Over load protection	Resettable after fault removed
Over temperature protection	Resettable after temperature descending acc. IEC 61347-1 appendix C
Electric strength	IN-OUT / IN-FG: 3750VAC/5mA/1 min; OUT-FG: 500VAC/5mA/1 min;
Insulation resistor	≥ 4MΩ
STANDARD	
LVD	EN61347-1, EN61347-2-13, EN60598-1, EN60598-2-6
EMC	EN55015, EN61547, EN61000-3-2, EN61000-3-3
Approvals	CE, Intertek Semko
RoHS compatible	Yes

II. Dimension



Unit: mm