

Secondary Lens

Edixeon Secondary Lens

Approved By Customer	Designer	Checker	Approval

Date : 2006/07/17

Version : 2.2

EDISON OPTO CORPORATION

4F, No. 800, Chung-Cheng Rd,

Chung-Ho, Taipei 235, Taiwan






















Tel: 886-2-8227-6996

Fax: 886-2-8227-6997

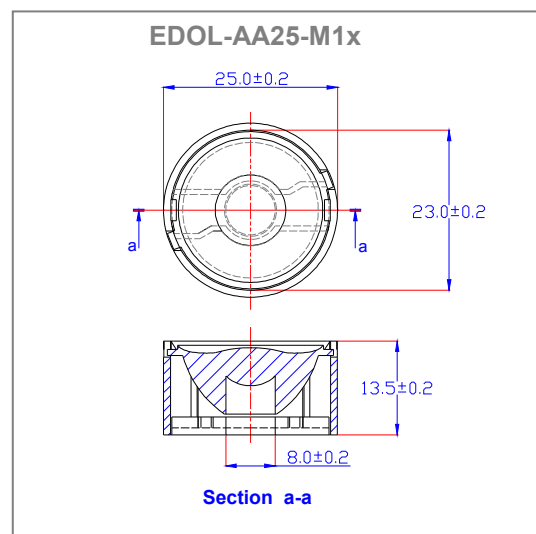
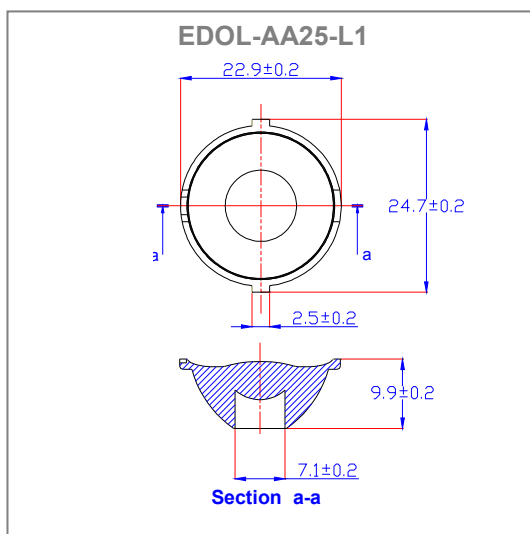
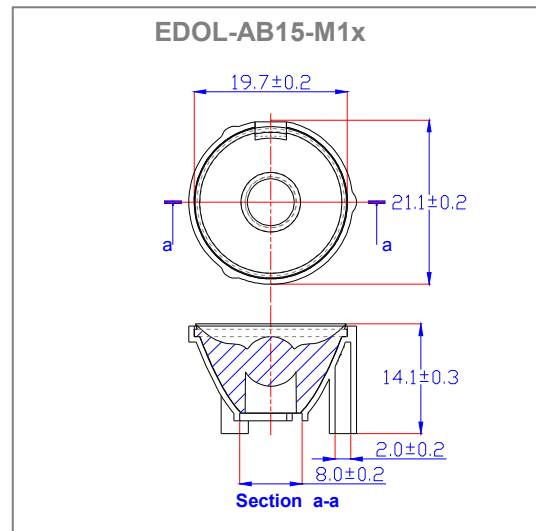
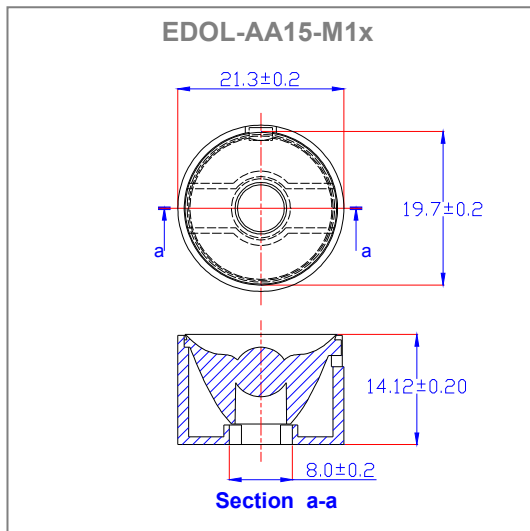
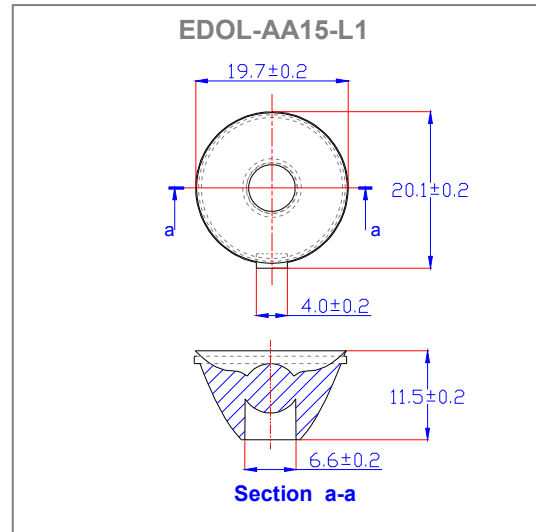
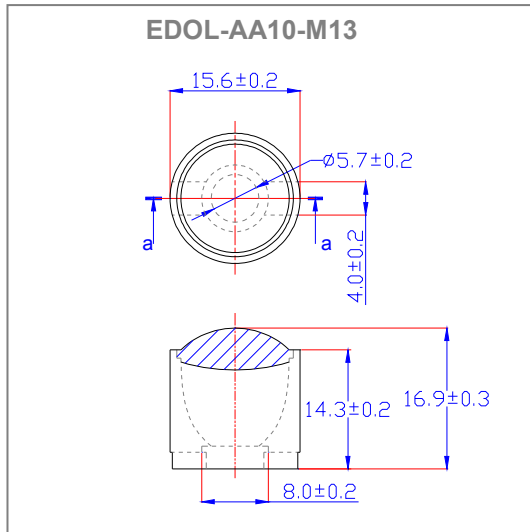
<http://www.edison-opto.com.tw>



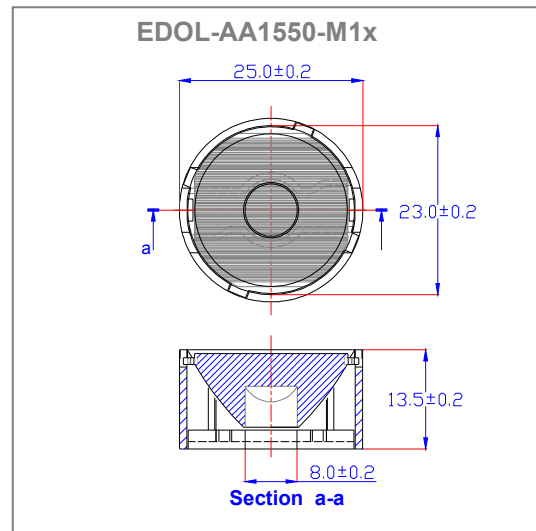
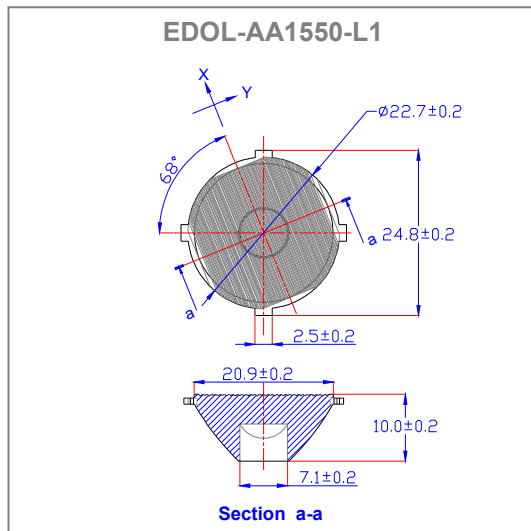
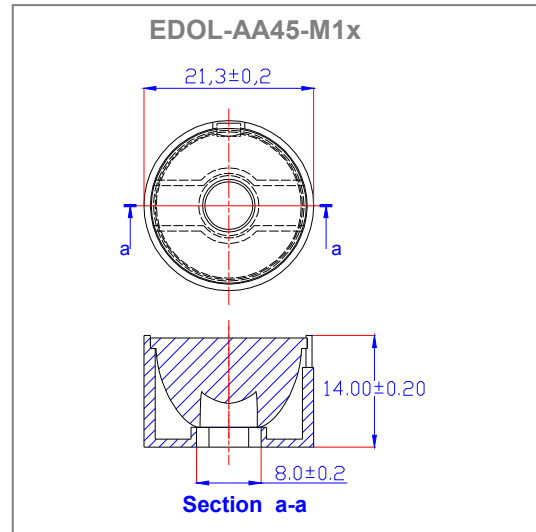
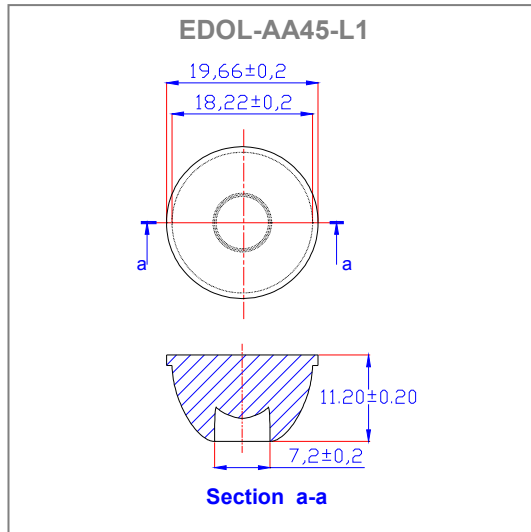
Secondary Lens Series List:

Angle	Collimator	Housing Color(with collimator)		
		Black	Clear	White
10°	--	EDOL-AA10-M13 	--	--
15°	EDOL-AA15-L1 	EDOL-AA15-M11 	EDOL-AA15-M14 	EDOL-AA15-M15 
45°	EDOL-AA45-L1 	EDOL-AA45-M12 	EDOL-AA45-M14 	EDOL-AA45-M15 
25°	EDOL-AA25-L1 	EDOL-AA25-M12 	EDOL-AA25-M14 	EDOL-AA25-M15 
15° (Type II)	EDOL-AA15-L1 	EDOL-AB15-M11 	EDOL-AB15-M14 	EDOL-AB15-M15 
1550° (Oval)	EDOL-AA1550-L1 	EDOL-AA1550-M12 	EDOL-AA1550-M14 	EDOL-AA1550-M15 

Secondary Lens Series Outlines



Secondary Lens Series Outlines



Notes:

- All dimensions are in mm.
- All drawings are not to scale.
- All lens series work with lambertian emitter.
- During any assembly process touching lens is avoided. This will cause pollution or scratch on the surface of lens
- Care is required in assembly must be avoided dislocation between lens and holder.
- All lens are made from acrylic; do not operate at a temperature greater than 70°C.
- All optic parts are assembly tolerance below figure 1.

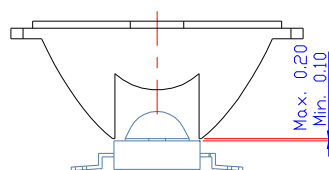
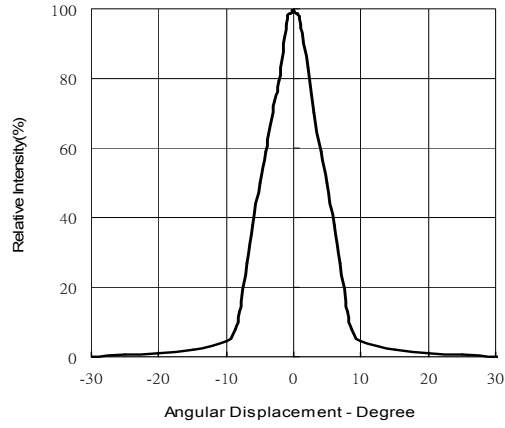


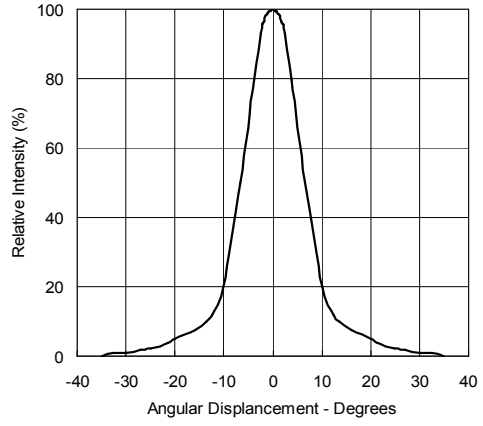
Figure 1: Assembly allowed tolerance

Typical Radiation pattern for

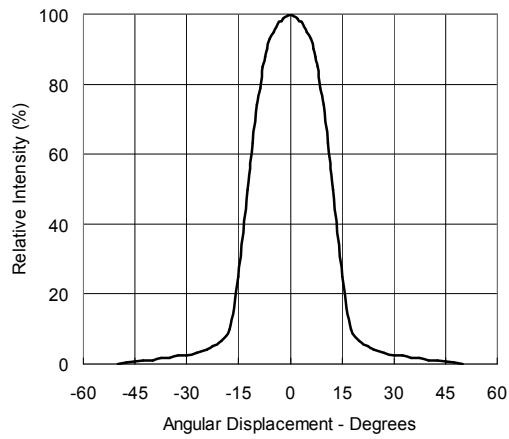
EDOL-AA10-M13



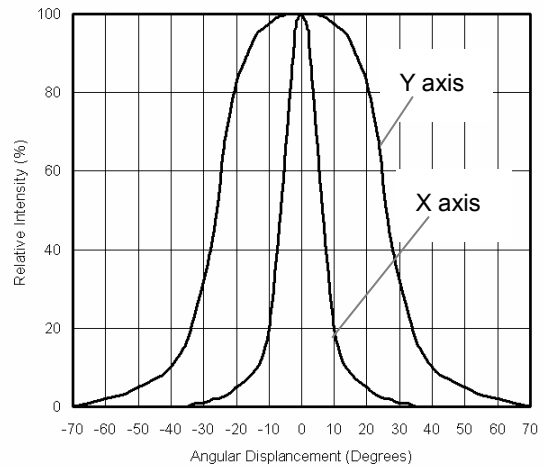
EDOL-AA15-L1



EDOL-AA25-L1



EDOL-AA1550-L1



EDOL-AA45-L1

