



Wide input voltage ranges up to 75 V DC
 Single output up to 15 V DC
 1500 V DC I/O electric strength test voltage



- Magnetic feedback
- Synchronous rectifier for models with suffix G
- Short circuit protection
- 2.16" x 2.16" metal case with 10.5 mm profile

Selection chart

Output		Input voltage U_i [V DC]	Rated power $P_{o\ tot}$ [W]	Type	Options
$U_{o\ nom}$ [V DC]	$I_{o\ nom}$ [A]				
2.5	6	14...36	15	24 IMS 25-2.5-9G	i, Z
2.5	6	32...75	15	48 IMS 25-2.5-9G	i, Z
3.3	6	14...36	19.8	24 IMS 25-03-9G	i, Z
3.3	6	32...75	19.8	48 IMS 25-03-9G	i, Z
5.1	5	14...36	25	24 IMS 25-05-9G	i, Z
5.1	5	32...75	25	48 IMS 25-05-9G	i, Z
12	2	14...36	24	24 IMS 25-12-9	i, Z
12	2	32...75	24	48 IMS 25-12-9	i, Z
15	1.6	14...36	24	24 IMS 25-15-9	i, Z
15	1.6	32...75	24	48 IMS 25-15-9	i, Z

Input

Input voltage range	24 IMS 25	14...36 V DC
	48 IMS 25	32...75 V DC

Output

Output voltage setting accuracy	$U_{i \text{ nom}}, 50\% I_{o \text{ nom}}$	$\pm 1\% U_{o \text{ nom}}$
Minimum load		not required
Line/load regulation	$U_{i \text{ min}} \dots U_{i \text{ max}}, 50\% I_{o \text{ nom}}$	$\pm 1\% U_{o \text{ nom}}$
Output voltage switching noise	$U_{i \text{ nom}}, 0 \dots 100\% I_{o \text{ nom}}, \text{ peak-peak, total}$	max. 1.5...2.5% $U_{o \text{ nom}}$
Efficiency	$U_{i \text{ nom}}, I_{o \text{ nom}}$	up to typ 91%

Control and protection

Remote shut down	TTL-compatible input	disabled with $\leq 0.7 \text{ V}$
Trim input for U_o		80...105%
Input undervoltage lock-out	programmable	
Input overvoltage protection	by suppressor diode	
Frequency synchronisation	switching frequency	approx. 270 kHz
Overload protection	$U_{i \text{ min}} \dots U_{i \text{ max}}$	current limitation to max. 130% $I_{o \text{ nom}}$
No-load protection	$U_{i \text{ min}} \dots U_{i \text{ max}}$	
Temperature protection	by thermistor	

Safety and EMC

Electric strength test voltage	I/O and I/Case	1500 V DC
Electromagnetic interference	conducted (with external filter)	class B
	radiated	class A

Environmental

Operating ambient temperature	$U_{i \text{ nom}}, I_{o \text{ nom}}$	-40...71 °C
Storage temperature	non operational	-40...100 °C
Relative humidity	non condensing	93%

Options

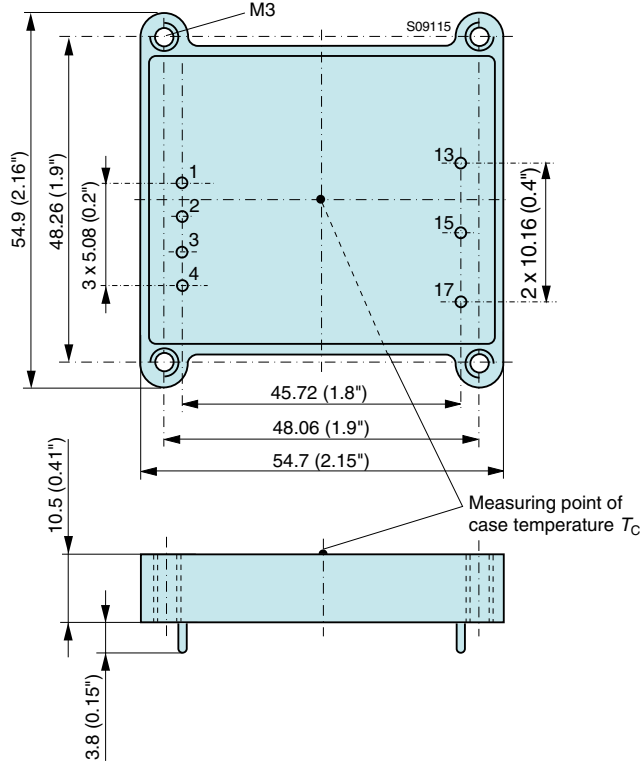
Inhibit input (reverse logic)	TTL-compatible, disabled with $\geq 2.4 \text{ V}$ or open-circuit	i
Open frame version	no housing, not lacquered	Z

Mechanical data

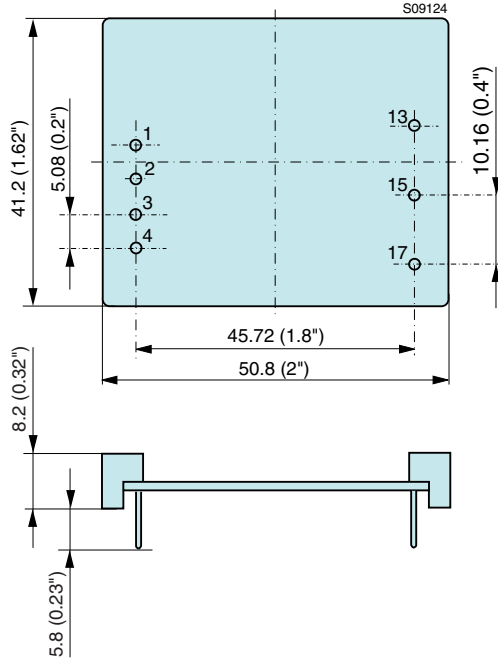
Tolerances ± 0.3 mm (0.012") unless otherwise indicated.



IMS 25



IMS 25 open frame (option Z)



Pin allocation

Pin	Single output unit	Option i
1	Vi+	Vi+
2	Vi-	Vi-
3	W	W
4	\overline{SD}	i
13	Vo+	Vo+
15	Vo-	Vo-
17	Trim	Trim