

Main Feature

1. RW Series Relay covers switching capacity by 10A in spite of miniature size to comply with user's wide selection.
2. RWH is approved C-UL & TÜV safety standard.
3. The employment of suitable plastic materials is applied under high temperature condition and various chemical solutions.
4. Complete protective construction is designed for dust and soldering flux. If required, plastic sealed type is available for washing procedure.
5. 12A at 120VAC for RW & 12A at 240VAC for RWH are UL approved.

Application

Domestic Appliances, Office Machines, Audio Equipment, Coffee-Pots, Control units, etc.

Contact Rating

- Nominal Load (Resistive Load $\cos \varphi = 1$)
 Contact Capacity: RW 12A at 120VAC.(UL)
 10A at 120VAC.
 10A at 24VDC.
 RWH 12A at 250VAC.(UL)
 10A at 277VAC(TUV)
 TV-5 at 120VDC.
 15A at 24VDC.
 Rated Carrying CurrentRW: 10A & RWH: 15A.
 Max. Allowable CurrentRW: 10A & RWH: 15A.
 Max. Allowable VoltageAC 240V, DC 110V.
 Max. Allowable Power Force.RW: 1500 VA, 240W.
 RWH: 1800VA, 360W.
 Min. Switching LoadRW: DC 5V, 10mA.
 RWH: DC5V, 15mA.
- Contact MaterialRW: Ag Alloy.
 RWH: AgSnO₂.
- Contact Form.....SPST & SPDT.

Performance (at Initial Value)

- Contact Resistance100mΩ Max.@1A,6VDC
- Operate Time10 mSec. Max.
- Release Time5 mSec. Max.
- Dielectric Strength :
 Between Coil & Contact1,000VAC at 50/60 Hz
 for one minute.
 Between Contacts500VAC at 50/60 Hz
 for one minute.
- Surge Resistance3,000V (between Coil
 & Contact 1.2x50μSec.)
- Insulation Resistance.....100 MegaΩ Min. at

500VDC.

- Max. On/Off Switching :
 Electrical..... 30 Ops per Minute.
 Mechanical..... 300 Ops per Minute.
- Temperature Range -30~55°C
- Humidity Range..... 45~85% RH.
- Coil Temperature Rise..... 35°C Max.
- Vibration :
 Endurance 10 to 55 Hz dual
 amplitude width 1.5mm.
 Error Operation 10 to 55 Hz dual
 amplitude width 1.5mm.
- Shock :
 Endurance 1,000 m/S² Min.
 Error Operation 100 m/S² Min.
- Life Expectancy :
 Mechanical 10⁷ Operations at No
 Load condition.
 Electrical 10⁵ Operations at Rated
 Resistive Load.
- Weight About 11 g.

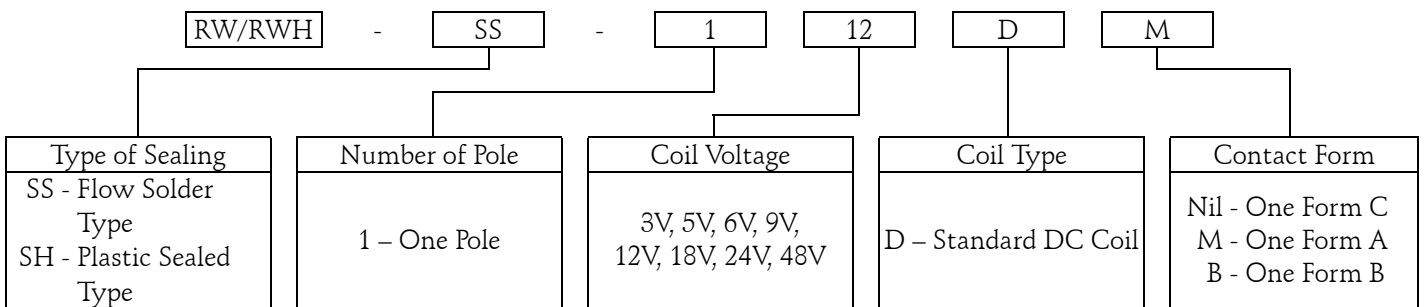
Safety Standard & Its File Number :

- RW:
 UL E141060
 CSA..... LR76598
- RWH:
 C-UL..... E141060
 TÜV R9854380

Coil Specification (at 20°C)

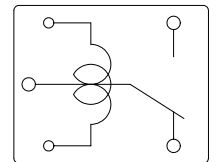
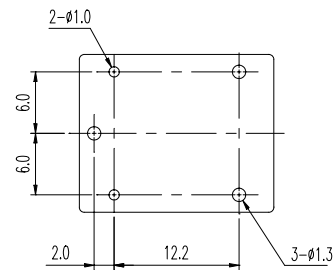
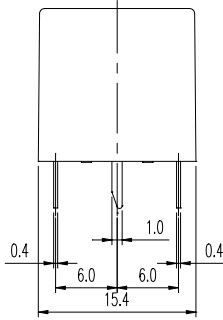
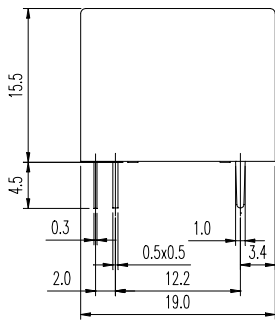
Coil Sensitivity	Nominal Voltage (VDC)	Nominal Current (mA)	Coil Resistance ($\Omega \pm 10\%$)	Power Consumption (W)	Pull-In Voltage (VDC)	Drop-Out Voltage (VDC)	Maximum Allowable Voltage (VDC)
RW/RWH	3	120	25	Abt. 0.36	75% Maximum	5% Minimum	130%
	5	73	70				
	6	60	100				
	9	40	225				
	12	30	400				
	18	20	900				
	24	15	1,600				
	48	7.5	6,400	Abt. 0.45	80% Max.		

Ordering Information:



Dimension:

RW-SS/SH
 RWH-SS/SH



BOTTOM VIEW

BOTTOM VIEW

Reference Data:

